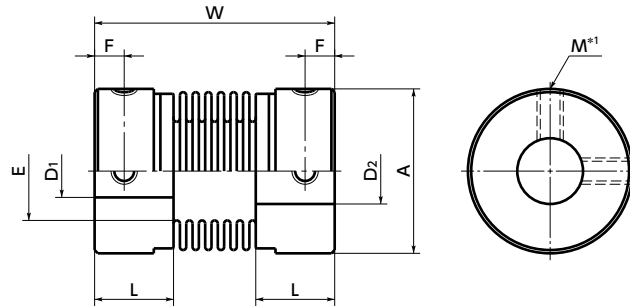


# MFB/MFBS/MFB-C/MFBS-C Flexible Couplings - Bellows Type

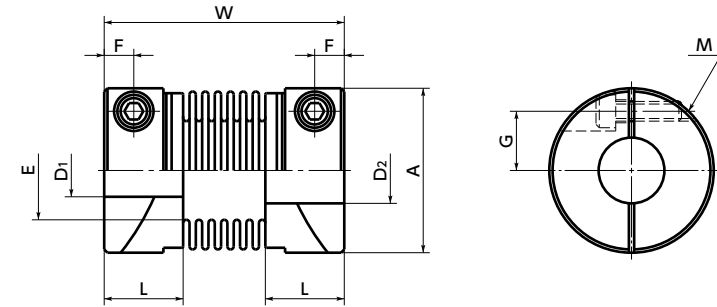
WEB Selection Tool | WEB CAD Download | 0 Zero Backlash | SUS Stainless steel

**MFB** Aluminum alloy hub  
**MFBS** Made of all stainless steel



\*1: In a case where the bore diameter is  $\phi 4$  or less, the set screw is used in only one place.

**MFB-C** Aluminum alloy hub  
**MFBS-C** Made of all stainless steel



## Dimensions

Unit : mm

Part Number	A	L	W	E	F	G	M	Screw Tightening Torque (N·m)	Standard Bore Diameter D1/D2								
									3	4	5	6	8	10	12	14	
MFB-12	12	7.5	23.5	7	2.5		M2.5	0.5	●	●	●	●					
MFB-16	16	9	26.5	9.5	3		M3	0.7		●	●	●	●				
MFB-20	20	10	33	12.5	3.5		M3	0.7			●	●	●	●			
MFB-25	25	12	36.5	15	4.5		M4	1.7				●	●	●	●		
MFB-32	32	13.5	42	21	5.5		M4	1.7					●	●	●	●	●
MFBS-12	12	7.5	23.5	7	2.5		M2.5	0.5	●	●	●	●					
MFBS-16	16	9	26.5	9.5	3		M3	0.7		●	●	●	●				
MFBS-20	20	10	32	12.5	3.5		M3	0.7			●	●	●	●			
MFBS-25	25	12	36.5	15	4.5		M4	1.7				●	●	●	●		
MFBS-32	32	13.5	42	21	5.5		M4	1.7					●	●	●	●	●
MFB-12C	12	7.5	23.5	7	2.25	4	M2	0.5		●	●						
MFB-16C	16	9	26.5	9.5	3	5	M2.5	1			●	●					
MFB-20C	20	10	33	12.5	3.5	6.5	M2.5	1				●	●				
MFB-25C	25	12	36.5	15	4.5	9	M3	1.5					●	●	●		
MFB-32C	32	13.5	42	21	5	11	M4	2.5						●	●	●	●
MFBS-12C	12	7.5	23.5	7	2.25	4	M2	0.5		●	●						
MFBS-16C	16	9	26.5	9.5	3	5	M2.5	1			●	●					
MFBS-20C	20	10	32	12.5	3.5	6.5	M2.5	1				●	●				
MFBS-25C	25	12	36.5	15	4.5	9	M3	1.5					●	●	●		
MFBS-32C	32	13.5	42	21	5	11	M4	2.5						●	●	●	●

- All products are provided with hex socket set screw **MFB**/**MFBS** or hex socket head cap screw **MFB-C**/**MFBS-C**.
- Tolerance of shaft bore on set screw type is H8.
- Recommended tolerance for shaft diameters is h6 and h7.

### ⚠ Precautions for Use

- In case of mounting on D-cut shaft, be careful about the position of the D-cut surface of the shaft. → P.xxxx
- There are sizes where the hex socket head bolt exceeds the outer diameter of the coupling and the rotating diameter is larger than the outer diameter. Please be careful of the interference of coupling. → P.xxxx

## Performance

Part Number	Max. Bore Diameter (mm)	Rated Torque *1 (N·m)	Max. Rotational Frequency (min <sup>-1</sup> )	Moment*2 of Inertia (kg·m <sup>2</sup> )	Static Torsional Stiffness (N·m/rad)	Max. Lateral Misalignment (mm)	Max. Angular Misalignment (°)	Max. Axial Misalignment (mm)	Mass *2 (g)
MFB-12	6.35	0.3	52000	9.0×10 <sup>-8</sup>	82	0.1	1.5	+0.4 -1.2	4.1
MFB-16	8	0.5	39000	3.5×10 <sup>-7</sup>	110	0.1	1.5	+0.4 -1.2	9
MFB-20	10	0.8	31000	9.9×10 <sup>-7</sup>	180	0.15	2	+0.6 -1.8	16
MFB-25	12	1.3	25000	3.1×10 <sup>-6</sup>	240	0.15	2	+0.6 -1.8	32
MFB-32	16	2	19000	9.2×10 <sup>-6</sup>	330	0.2	2	+0.8 -2.5	57
MFBS-12	6.35	0.5	52000	2.1×10 <sup>-7</sup>	100	0.1	1.5	+0.4 -1.2	9.1
MFBS-16	8	1	39000	8.0×10 <sup>-7</sup>	150	0.1	1.5	+0.4 -1.2	20
MFBS-20	10	1.5	31000	2.3×10 <sup>-6</sup>	220	0.15	2	+0.6 -1.8	37
MFBS-25	12	2	25000	7.0×10 <sup>-6</sup>	330	0.15	2	+0.6 -1.8	73
MFBS-32	16	3	19000	2.1×10 <sup>-5</sup>	490	0.2	2	+0.8 -2.5	130
MFB-12C	5	0.3	52000	9.7×10 <sup>-8</sup>	82	0.1	1.5	+0.4 -1.2	3.8
MFB-16C	6.35	0.5	39000	3.7×10 <sup>-7</sup>	110	0.1	1.5	+0.4 -1.2	9.8
MFB-20C	8	0.8	31000	1.0×10 <sup>-6</sup>	180	0.15	2	+0.6 -1.8	16
MFB-25C	10	1.3	25000	3.1×10 <sup>-6</sup>	240	0.15	2	+0.6 -1.8	32
MFB-32C	14	2	19000	9.6×10 <sup>-6</sup>	330	0.2	2	+0.8 -2.5	58
MFBS-12C	5	0.5	52000	2.1×10 <sup>-7</sup>	100	0.1	1.5	+0.4 -1.2	9.2
MFBS-16C	6.35	1	39000	8.1×10 <sup>-7</sup>	150	0.1	1.5	+0.4 -1.2	22
MFBS-20C	8	1.5	31000	2.3×10 <sup>-6</sup>	220	0.15	2	+0.6 -1.8	38
MFBS-25C	10	2	25000	6.9×10 <sup>-6</sup>	330	0.15	2	+0.6 -1.8	74
MFBS-32C	14	3	19000	2.1×10 <sup>-5</sup>	490	0.2	2	+0.8 -2.5	130

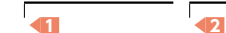
\*1: Correction of rated torque due to load fluctuation is not required.

※ The shaft's slip torque may be smaller than the coupling's rated torque depending on the shaft bore. → P.xxxx

\*2: These are values with max. bore diameter.

- Part number specification

## MFB-12C-4-5



Additional Keyway at Shaft Hole → P.xxxx | Cleanroom Wash & Packaging → P.xxxx | SUS Change to Stainless Steel Screw → P.xxxx  
 Available / Add'l charge | Not Available | Please feel free to contact us