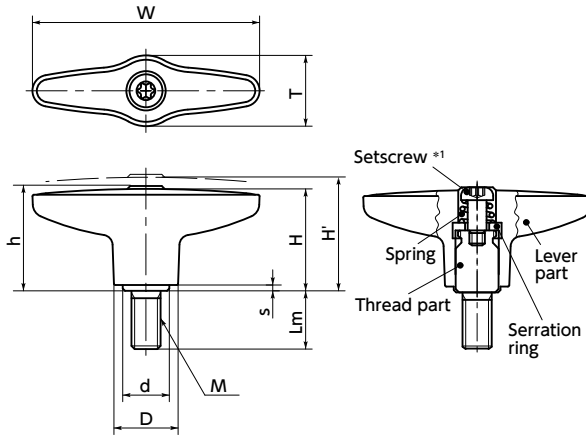


SUS Stainless steel



\*1: Setscrew head shapes have been changed from hex sockets to hexalobular sockets.

Material/Finish



	LUDM	LUDMS
Lever Part	Nylon 6 (Various Color)	Nylon 6 (Various Color)
Thread Part	SUM22L Ferrosiferic Oxide Film (Black)	SUS303
Setscrew	Steel Ferrosiferic Oxide Film (Black)	Stainless Steel
Serration Ring	Zinc Die Cast	Zinc Die Cast
Spring	Stainless Steel Wire or SWPB	Stainless Steel Wire

- A double arm type clamp lever made of plastic.
- Designed in consideration of the seven principles of universal design. A shape for easy application of forces and operations.
- About Universal Design → P.xxxx
- The rotating radius is about a half of plastic clamp levers. Space-saving.
- A serration ring made of zinc die cast is inserted into the lever body made of plastic. They also realize sufficient strength for fitting with metal thread serration.
- There are two types of thread part materials:
  - LUDM** — Made of steel
  - LUDMS** — Made of stainless steel
- A rich variety of thread sizes from M3 to M12 are available.
- Five-color variations support the color universal design of machines / devices. Two-tone color of dark gray and various colors.
- Lever part colors can be selected by the end symbol of the part number.

End Symbol	Lever Part Color
<b>BK</b>	Matte black
<b>SG</b>	Matte Silver
<b>OR</b>	Matte orange
<b>BL</b>	Matte blue
<b>YW</b>	Matte yellow



Dimensions

Unit : mm

Part Number <small>Screw : Steel</small>	Part Number <small>Screw : Stainless steel</small>	W	M (Coarse)		H	H'	h	s	T	D	d	Number of Teeth	Max.*1 load (N)	Max.*1 clamping force (kN)	Mass (g)
			Nominal of Thread	Pitch											
LUDM-52-3	LUDMS-52-3	52	M3	0.5	23.5	27	24.5	1.5	15.4	14	10	18	15	0.95	15 - 16
LUDM-52-4	LUDMS-52-4	52	M4	0.7	23.5	27	24.5	1.5	15.4	14	10	18	36	1.7	16 - 17
LUDM-52-5	LUDMS-52-5	52	M5	0.8	23.5	27	24.5	1.5	15.4	14	10	18	72	2.7	17 - 21
LUDM-52-6	LUDMS-52-6	52	M6	1	23.5	27	24.5	1.5	15.4	14	10	18	120	3.8	17 - 23
LUDM-67-6	LUDMS-67-6	67	M6	1	30	34	31	2	20.8	19	13.5	24	94	3.8	37 - 46
LUDM-67-8	LUDMS-67-8	67	M8	1.25	30	34	31	2	20.8	19	13.5	24	230	7	40 - 55
LUDM-67-10		67	M10	1.5	30	34	31	2	20.8	19	13.5	24	460	11	45 - 86
LUDM-78-8	LUDMS-78-8	78	M8	1.25	35	39	36	2	24.3	22	16	26	200	7	62 - 83
LUDM-78-10	LUDMS-78-10	78	M10	1.5	35	39	36	2	24.3	22	16	26	390	11	66 - 97
LUDM-78-12		78	M12	1.75	35	39	36	2	24.3	22	16	26	690	16	76 - 114
LUDM-93-12	LUDMS-93-12	93	M12	1.75	41	45	43	3	28.5	26	19	28	580	16	117 - 154

\*1: About the definition of max. load / max. clamping force → P.xxxx

Part number specification

**LUDM-93-12-80-YW**



For **2** screw length Lm, select from the sizes marked with ● in the table.

LUDM Thread part: made of steel LUDMS Thread part: made of stainless steel

Part Number	Lm (mm)											
	6	8	10	12	16	20	25	32	40	50	63	80
LUDM-52-3	●	●	●	●	●	●	●	●	●	●	●	●
LUDM-52-4			●	●	●	●	●	●	●	●	●	●
LUDM-52-5				●	●	●	●	●	●	●	●	●
LUDM-52-6				●	●	●	●	●	●	●	●	●
LUDM-67-6				●	●	●	●	●	●	●	●	●
LUDM-67-8				●	●	●	●	●	●	●	●	●
LUDM-67-10					●	●	●	●	●	●	●	●
LUDM-78-8					●	●	●	●	●	●	●	●
LUDM-78-10					●	●	●	●	●	●	●	●
LUDM-78-12						●	●	●	●	●	●	●
LUDM-93-12							●	●	●	●	●	●
LUDMS-52-3	●	●	●	●	●	●	●	●	●	●	●	●
LUDMS-52-4			●	●	●	●	●	●	●	●	●	●
LUDMS-52-5				●	●	●	●	●	●	●	●	●
LUDMS-52-6				●	●	●	●	●	●	●	●	●
LUDMS-67-6					●	●	●	●	●	●	●	●
LUDMS-67-8					●	●	●	●	●	●	●	●
LUDMS-78-8						●	●	●	●	●	●	●
LUDMS-78-10						●	●	●	●	●	●	●
LUDMS-93-12							●	●	●	●	●	●

Cleanroom Wash & Packaging → P.xxxx Screw Combination → P.xxxx Screw Length Adjustment → P.xxxx Vibration Resistant → P.xxxx Laser Marking → P.xxxx  
 Please feel free to contact us Not Available Available / Add'l charge Not Available Available / Add'l charge