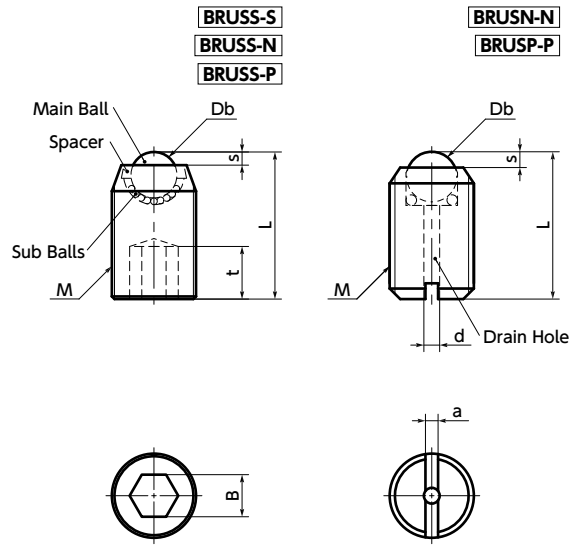


BRUSS/BRUSN/BRUSP Ball Rollers - Set Screw Type

WEB Selection Tool | WEB CAD Download | SUS Stainless steel



- Set screw type ball rollers for upward applications.
- We offer a full lineup of this type of ball roller. You can select from the following main body and main ball combinations: stainless steel, polyacetal, and PEEK.
- **BRUSS** has a small coefficient of friction and can move workpiece with less force. → P.xxxx
- **BRUSP-P** is intended for applications that require cleanliness, heat resistance, or chemical resistance, such as FPD production equipment and semiconductor devices.
- **BRUSN-N** and **BRUSP-P** have drain holes and are intended for food production lines and other applications that require cleaning.

• Application

FPD production equipment, semiconductor devices, food production lines, and packaging lines

⚠ Precautions for Use

- **BRUSS** is for upward applications only. If it is used for downward and sideward applications, the product may be damaged or the ball may malfunction.
- **BRUSN-N** and **BRUSP-P** can be used in upward, downward, and sideward applications.

• Material/Finish

	BRUSS-S	BRUSN-N	BRUSP-P
Main Body	SUSXM7 (Equivalent to SUS304)	SUSXM7 (Equivalent to SUS304)	SUSXM7 (Equivalent to SUS304)
Main Ball	SUS440C (Hardness 55HRC or Higher)	Polyacetal/White	PEEK/Light Brown
Sub-ball	SUS440C (Hardness 55HRC or Higher)	SUS440C (Hardness 55HRC or Higher)	SUS440C (Hardness 55HRC or Higher)
Spacer	SUS304	SUS304	

RoHS2 Compliant

BRUSS-S **BRUSN-N** Main Body: Made of Stainless Steel

BRUSS-S Main Ball: Stainless Steel		BRUSN-N Main Ball: Polyacetal		Common Dimensions								Qty per Pack
Part Number	Withstand Load (N)	Part Number	Withstand Load (N)	M (Coarse)		L	s	Db	B	t	Mass (g)	
				Nominal of Thread	Pitch							
BRUSS-8-S	5	BRUSS-8-N	1	M8	1.25	14	1.3	4.76	4	5	3.1	1
BRUSS-10-S	14	BRUSS-10-N	7	M10	1.5	16	1.2	4.76	5	6	5.8	1
BRUSS-12-S	41	BRUSS-12-N	27	M12	1.75	20	1.5	5.56	6	8	10	1
BRUSS-16-S	55	BRUSS-16-N	34	M16	2	25	2.5	8.73	8	10	22	1
BRUSS-20-S	62	BRUSS-20-N	55	M20	2.5	30	3.5	10.32	10	12	43	1

BRUSP-P Main Body: Made of Stainless Steel / Main Ball: PEEK

Part Number	M (Coarse)		L	s	Db	B	t	Withstand Load (N)	Mass (g)	Qty per Pack
	Nominal of Thread	Pitch								
BRUSP-8-P	M8	1.25	14	1.3	4.76	4	5	1	2.6	1
BRUSP-10-P	M10	1.5	16	1.8	6.35	5	6	8	4.4	1
BRUSP-12-P	M12	1.75	20	2.3	7.94	6	8	15	7.7	1
BRUSP-16-P	M16	2	25	2.7	9.53	8	10	25	18	1

• Material/Finish

	BRUSN-N	BRUSP-P
Main Body	Polyacetal/White	PEEK/Light Brown
Main Ball	Polyacetal/White	PEEK/Light Brown
Sub Ball	SUS440C (Hardness 55HRC or Higher)	SUS440C (Hardness 55HRC or Higher)

BRUSN-N Main Body and Main Ball: Polyacetal

Part Number	M (Coarse)		L	s	Db	a	d	Withstand Load (N)	Mass (g)	Qty per Pack
	Nominal of Thread	Pitch								
BRUSN-8-N	M8	1.25	14	1.5	4.76	1.2	1.5	2	0.73	1
BRUSN-10-N	M10	1.5	16	1.7	5.56	1.5	2.5	4	1.2	1
BRUSN-16-N	M16	2	25	2.8	8.73	2	3	7	5.1	1
BRUSN-20-N	M20	2.5	30	3.5	10.32	3	3.5	11	9.5	1

BRUSP-P Main Body and Main Ball: PEEK

Part Number	M (Coarse)		L	s	Db	a	d	Withstand Load (N)	Mass (g)	Qty per Pack
	Nominal of Thread	Pitch								
BRUSP-8-P	M8	1.25	14	1.5	4.76	1.5	1.2	2	0.68	1
BRUSP-10-P	M10	1.5	16	2	6.35	1.5	2.5	5	1.5	1
BRUSP-12-P	M12	1.75	20	2.5	7.94	2	3	6	2	1
BRUSP-16-P	M16	2	25	3	9.53	2	3.5	8	4.8	1

• Part number specification

BRUSS-12-N

Product Code M Main Ball: "S" or "N" or "P"

Select the part number.

Individual Sales → P.xxxx | Cleanroom Wash & Packaging → P.xxxx | Screw Length Adjustment → P.xxxx | Vibration Resistant → P.xxxx
 1 pc. in 1 bag | Please feel free to contact us | Not Available | Not Available