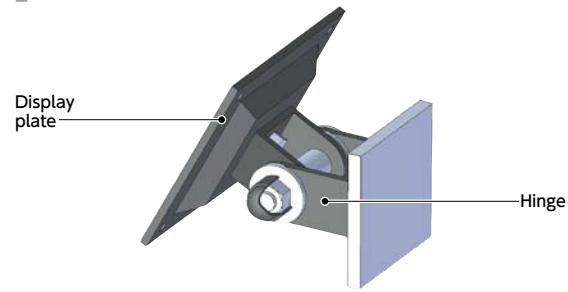


### Structure



#### Material/Finish



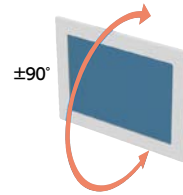
	DFS-AF	DFS-AA DFS-PB	DFSN-AF	DFSN-AA DFSN-PB
Display Plate	SPHC Electrostatic Coating			
Hinge	SS400 Electrostatic Coating			
Clamp Lever	Nylon 6			
Hex Nut	-	-	SS400 Trivalent Chromate Treatment	-
Fixing Plate	SS400 Electrostatic Coating	-	SS400 Electrostatic Coating	-
Bracket	-	A6063 Anodized	-	A6063 Anodized

#### Max. load weight

Product code	Max. load weight(kg)
DFS	6
DFSN	10



- The display can be tilted by  $\pm 90^\circ$  to the single axis direction.



- By tightening the clamp lever or hex nut, securely retain the angle after adjustment. 1
- Clamp lever type—**DFS**
- Hex nut type—**DFSN**
- Three types of Mounting System for Display® are available for different types of mounting surfaces.

For aluminum frame /

For wall panel and sheet metal—**DFS\*-AF**

For aluminum frame end surface mounting—**DFS\*-AA**

For Round Pipe—**DFS\*-PB**

#### Application

Machine tool / Medical equipment / FPD production device / Semiconductor manufacturing device / Packing machine / Food machinery

#### Part number specification

**DFS N-75-AA-40**

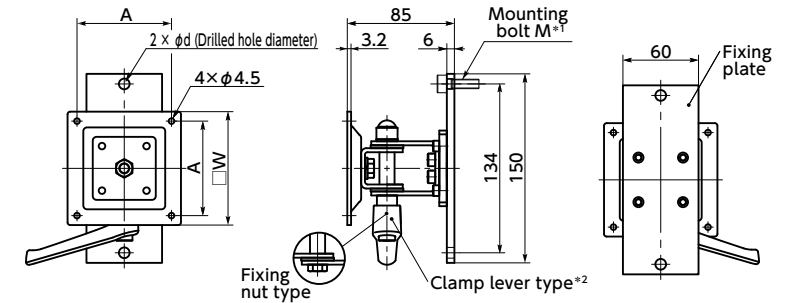
Product Code 1 2 3 4

Example of part number: DFS-100-AF-M8 / DFSN-75-PB-40

- For aluminum frame / For wall panel and sheet metal

**DFS-AF**

**DFSN-AF**



\*1: Mounting bolts are not supplied.

\*2: The clamp lever setscrews for the clamp lever type **DFS** have been changed from hex sockets to hexalobular sockets.

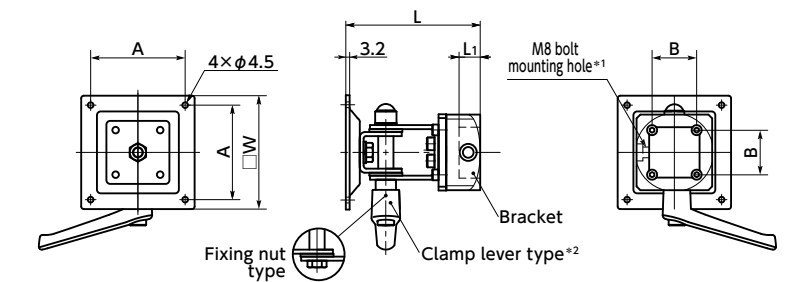
Unit : mm

Part Number	Part Number	A <span style="color: red;">2</span>	M(d) <span style="color: red;">4</span>	W	Mass (g)
<b>DFS-75-AF-*</b>	<b>DFSN-75-AF-*</b>	75	M4 (5) M5 (6) M6 (7) M8 (9)	90	980 - 1030
<b>DFS-100-AF-*</b>	<b>DFSN-100-AF-*</b>	100	M4 (5) M5 (6) M6 (7) M8 (9)	115	1080 - 1130

- For aluminum frame end surface mounting

**DFS-AA**

**DFSN-AA**



\*1: Hex socket low head bolts (M8 x 16 mm) are provided.

\*2: The clamp lever setscrews for the clamp lever type **DFS** have been changed from hex sockets to hexalobular sockets.

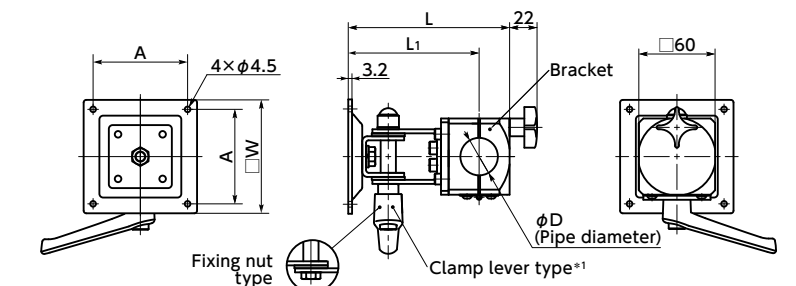
Unit : mm

Part Number	Part Number	A <span style="color: red;">2</span>	B <span style="color: red;">4</span>	W	L1	L	Mass (g)
<b>DFS-75-AA-40</b>	<b>DFSN-75-AA-40</b>	75	40	90	17	106	800
<b>DFS-100-AA-40</b>	<b>DFSN-100-AA-40</b>	100	40	115	17	106	900

- For Round Pipe

**DFS-PB**

**DFSN-PB**



\*1: The clamp lever setscrews for the clamp lever type **DFS** have been changed from hex sockets to hexalobular sockets.

Unit : mm

Part Number	Part Number	A <span style="color: red;">2</span>	D <span style="color: red;">4</span>	W	L1	L	Mass (g)		
<b>DFS-75-PB-*</b>	<b>DFSN-75-PB-*</b>	75	28	30	34	90	103	127	860 - 950
			40	42.7		90	107	135	850 - 930
<b>DFS-100-PB-*</b>	<b>DFSN-100-PB-*</b>	100	28	30	34	115	103	127	960 - 1050
			40	42.7		115	107	135	950 - 1030

- Fixing rubber sheet is attached. Dimensional allowance of available round pipe is  $\pm 0.5$  mm.