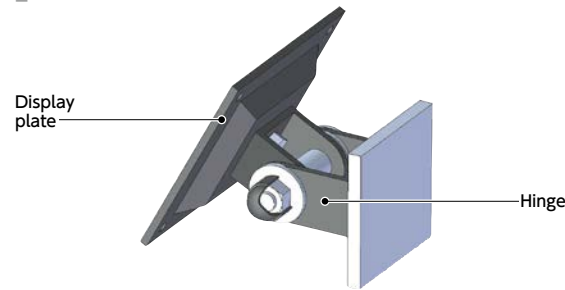


Structure



Material/Finish



	DFS-AF	DFS-AA DFS-PB	DFSN-AF	DFSN-AA DFSN-PB
Display Plate	SPHC Electrostatic Coating			
Hinge	SS400 Electrostatic Coating			
Clamp Lever	Nylon 6			
Hex Nut	-	-	SS400 Trivalent Chromate Treatment	-
Fixing Plate	SS400 Electrostatic Coating	-	SS400 Electrostatic Coating	-
Bracket	-	A6063 Anodized	-	A6063 Anodized

Max. Load Weight

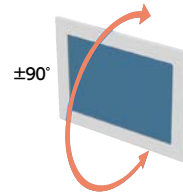
Product Code	Max. Load Weight
DFS	6kg
DFSN	10 kg

Related Products

DPU with pulls to allow smooth adjustment of the display angle is available.
 → P.xxxx



- The display can be tilted by $\pm 90^\circ$ to the single axis direction.



- By tightening the clamp lever or hex nut, securely retain the angle after adjustment. 1
- Clamp lever type—**DFS**
- Hex nut type—**DFSN**
- Three types of Mounting System for Display® are available for different types of mounting surfaces. 3
- For aluminum frame /
 For wall panel and sheet metal—**DFS*-AF**
- For aluminum frame end surface mounting—**DFS*-AA**
- For Round Pipe—**DFS*-PB**

Application

Machine tool / Medical equipment / FPD production device / Semiconductor manufacturing device / Packing machine / Food machinery

Part number specification

DFS N-75-AA-40

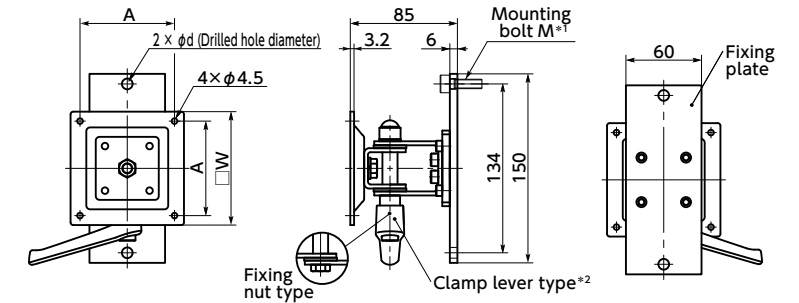
Product Code 1 2 3 4

Example of part number: DFS-100-AF-M8 / DFSN-75-PB-40

- For aluminum frame / For wall panel and sheet metal

DFS-AF

DFSN-AF



- *1: Mounting bolts are not supplied.
- *2: The clamp lever setscrews for the clamp lever type **DFS** have been changed from hex sockets to hexalobular sockets.

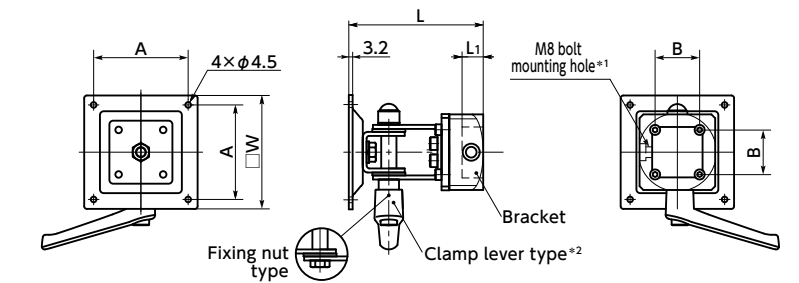
Unit : mm

Part Number	Part Number	A 2	M(d) 4	W	Mass (g)
DFS-75-AF-**	DFSN-75-AF-**	75	M4 (5) M5 (6) M6 (7) M8 (9)	90	980 - 1030
DFS-100-AF-**	DFSN-100-AF-**	100	M4 (5) M5 (6) M6 (7) M8 (9)	115	1080 - 1130

- For aluminum frame end surface mounting

DFS-AA

DFSN-AA



- *1: Hex socket low head bolts (M8 × 16 mm) are provided.
- *2: The clamp lever setscrews for the clamp lever type **DFS** have been changed from hex sockets to hexalobular sockets.

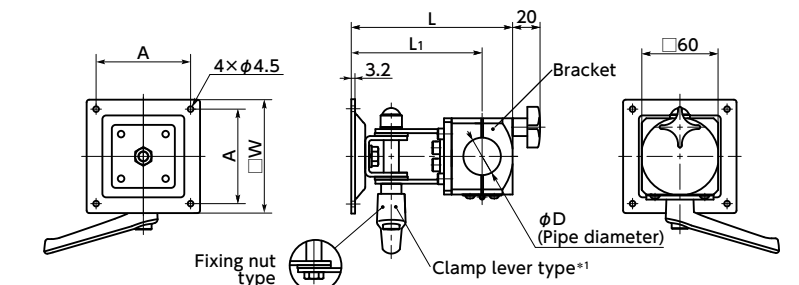
Unit : mm

Part Number	Part Number	A 2	B 4	W	L ₁	L	Mass (g)
DFS-75-AA-40	DFSN-75-AA-40	75	40	90	17	106	800
DFS-100-AA-40	DFSN-100-AA-40	100	40	115	17	106	900

- For Round Pipe

DFS-PB

DFSN-PB



- *1: The clamp lever setscrews for the clamp lever type **DFS** have been changed from hex sockets to hexalobular sockets.

Unit : mm

Part Number	Part Number	A 2	D 4	W	L ₁	L	Mass (g)		
DFS-75-PB-**	DFSN-75-PB-**	75	28	30	34	90	103	127	860 - 950
			40	42.7		90	107	135	850 - 930
DFS-100-PB-**	DFSN-100-PB-**	100	28	30	34	115	103	127	960 - 1050
			40	42.7		115	107	135	950 - 1030

- Fixing rubber sheet is attached. Dimensional allowance of available round pipe is ± 0.5 mm.