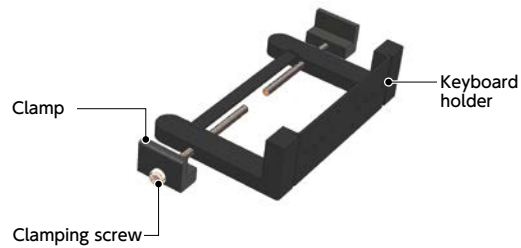


Structure

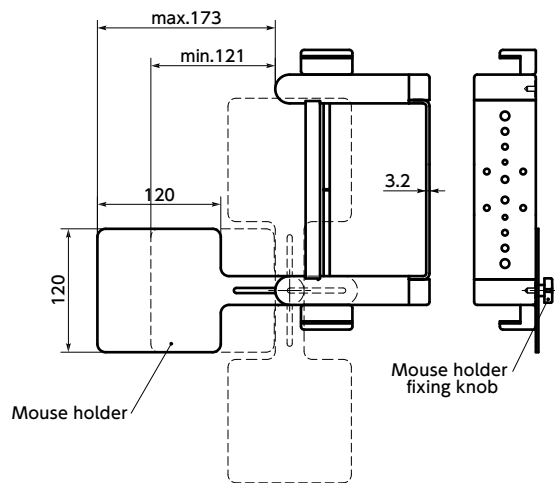
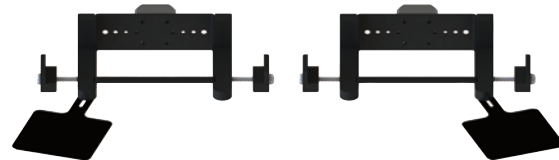


● Material/Finish

	DKB	DKB-AA / DKB-PB
Keyboard Holder	AC4C-F Electrostatic Coating	
Clamp	AC4C-F Electrostatic Coating	
Clamping Screw	SWRCH Trivalent Chromate Treatment	
Bracket	-	A6063 Anodized

● Option

- A mouse holder **DKMP** is available as an option.
- This may be mounted on either side.



Part Number	Mass (g)
DKMP	288

● Material / Finish

	DKMP
Mouse Holder	SPCC Electrostatic Coating
Mouse Holder Fixing Knob	Nylon 6



- The keyboard can be completely fixed to the mounting surface.
- By tightening the clamping screw, the keyboard is securely fixed and prevented from falling.
- B5 size laptops and 500 mm wide keyboards can be equipped.
- Three types of Mounting System for Display® are available for different types of mounting surfaces.



- For aluminum frame / For wall panel and sheet metal — **DKB**
- For aluminum frame end surface mounting — **DKB-AA**
- For Round Pipe — **DKB-PB**

- Clamp screws of two sizes (Phillips cross recessed pan head machine screws) are supplied.
M6 × 40: Used when the keyboard width is 256 mm to 280 mm.
M6 × 140: Used when the keyboard width is 280 mm to 500 mm.

● Application

Machine tool / Medical equipment / FPD production device / Semiconductor manufacturing device / Packing machine / Food machinery

● Part number specification

DKB-500-AA-40 Keyboard Mounting Systems

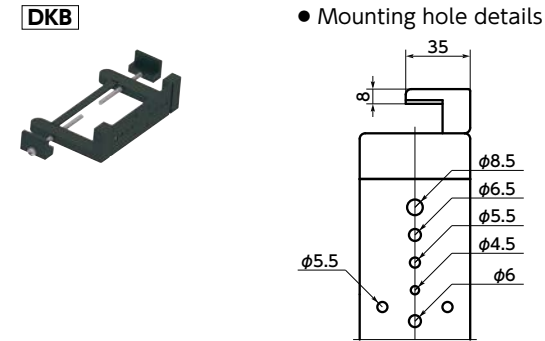
Product Code 1 2

DKMP Mouse Holder



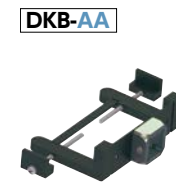
Example of part number: DKB-500 / DKB-500-PB-42.7

- For aluminum frame / For wall panel and sheet metal



Part Number	Mass (g)
DKB-500	800

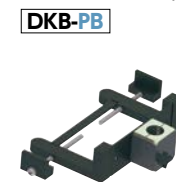
- For aluminum frame end surface mounting



Part Number	B	Mass (g)	Unit : mm
DKB-500-AA-40	40	970	

- Hex socket low head bolts (M8 × 16 mm) are supplied.

- For Round Pipe



Part Number	D	L1	L	Mass (g)	Unit : mm
DKB-500-PB-**	28	174	198	1130	
	30			1130	
	34			1120	
	40	178	206	1110	
	42.7			1105	

- Fixing rubber sheet is attached.

