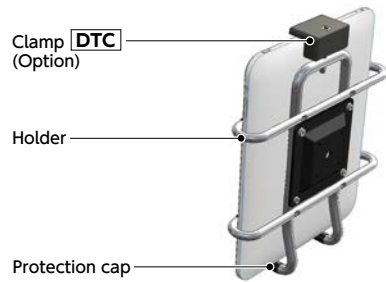


DTR Tablet PC Holders - for iPad - Fixed Type

[WEB Selection Tool](#)
[WEB CAD Download](#)
[Aluminum frame mount](#)
[wall/panel Mount](#)
[Aluminum frame edge mount](#)
[Pipe](#)

Structure



Material/Finish

	DTR-AF	DTR-AA / DTR-PB
Holder	SS400 Chrome Plating	
Protection Cap	Flexible PVC (lead-free)	
Fixing Plate	SS400 Electrostatic Coating	-
Bracket	-	A6063 Anodized

Option

- By using the optional **DTC**, a tablet PC can be completely fixed.
- For cases where taking out the tablet PC is prohibited.

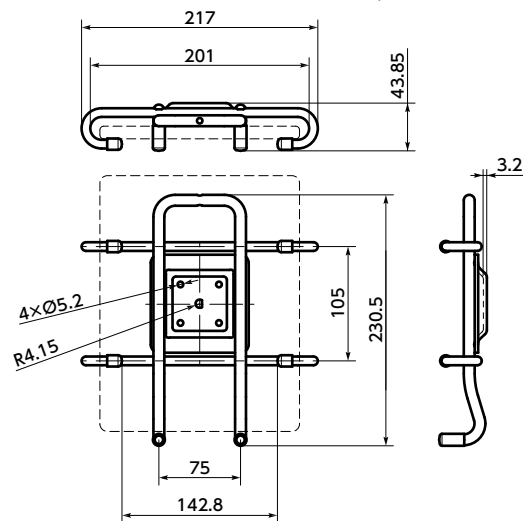
Part Number	Mass (g)
DTC	70

Material / Finish



	DTC
Clamp	AC4C-F Electrostatic Coating
Clamping Screw	SUSXM7

- The holder bracket alone can be purchased.



Part Number	Mass (g)
DTR	780



- Tablet PC holder compatible with iPad*1.
*1: iPad is a trademark of Apple Inc. Compatible with iPad2, iPad3, and iPad4.
- This fixes a tablet PC to production equipment or test devices. Tablet PC can be mounted / unmounted easily just by inserting / removing it.
- Robust design. It has excellent durability.
- A type to fix the holder completely.
- Three types of Mounting System for Display® are available for different types of mounting surfaces.



For aluminum frame /

For wall panel and sheet metal—**DTR-AF**

For aluminum frame end surface mounting—**DTR-AA**

For Round Pipe—**DTR-PB**

- This is suitable for checking the tablet PC screen while both hands are in use.
- The holder bracket alone can be purchased.

- We also produce Mounting System for Display® with special specifications compatible with tablet PCs of various sizes.

➔ P.xxxx



Application

Machine tool / Medical equipment / FPD production device / Semiconductor manufacturing device / Packing machine / Food machinery

- Part number specification

DTR-AA-40

Product Code **1** **2**

Example of part number: DTR-AF-M8 / DTR-PB-42.7

- For aluminum frame / For wall panel and sheet metal

DTR-AF



Part Number	M*1 (d)	Mass (g)
DTR-AF-**	M4 (5)	1190
	M5 (6)	
	M6 (7)	
	M8 (9)	

Unit : mm

*1 : Mounting bolts are not supplied.

- For aluminum frame end surface mounting

DTR-AA



Part Number	B	Mass (g)
DTR-AA-40	40	960

Unit : mm

*1 : Hex socket low head bolts (M8 × 16 mm) are provided.

- For Round Pipe

DTR-PB



Part Number	D	L1	L	Mass (g)
DTR-PB-**	28			1110
	30	65.5	89.5	1110
	34			1070
	40	69.5	97.5	1090
	42.7			1060

Unit : mm

- Fixing rubber sheet is attached. Dimensional allowance of available round pipe is ±0.5 mm.

Related Products

Tablet PC Holder **DTR-AF** compatible with 9 to 12 inch tablet PCs is available.

➔ P.xxxx

