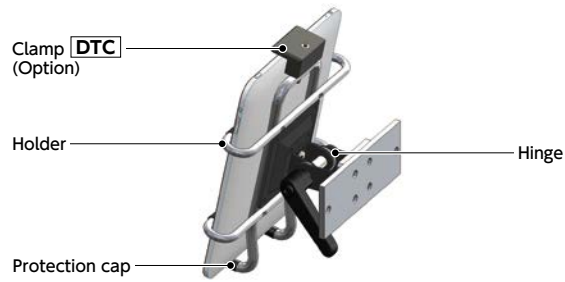


Structure



Application

Machine tool / Medical equipment / FPD production device / Semiconductor manufacturing device / Packing machine / Food machinery

Material/Finish

	DTS-AF	DTS-AA DTS-PB	DTSN-AF	DTSN-AA DTSN-PB
Holder	SS400 Chrome Plating			
Protection Cap	Flexible PVC (lead-free)			
Hinge	SS400 Electrostatic Coating			
Clamp Lever	Nylon 6			
Hex Nut			SS400 Trivalent Chromate Treatment	
Fixing Plate	SS400 Electrostatic Coating		SS400 Electrostatic Coating	
Bracket		A6063 Anodized		A6063 Anodized

Option

- By using the optional **DTC**, a tablet PC can be completely fixed.
- For cases where taking out the tablet PC is prohibited.

Part Number	Mass (g)
DTC	70

Material / Finish



	DTC
Clamp	AC4C-F Electrostatic Coating
Clamping Screw	SUSXM7

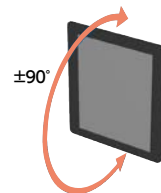


- Tablet PC holder compatible with iPad*1.
*1: iPad is a trademark of Apple Inc. Compatible with iPad2, iPad3, and iPad4.
- This fixes a tablet PC to production equipment or test devices. Tablet PC can be mounted / unmounted easily just by inserting / removing it.
- Robust design. It has excellent durability.
- By tightening the clamp lever or hex nut, securely retain the angle after adjustment. **1**

Clamp lever type—**DTS**
Hex nut type—**DTSN**

- Three types of Mounting System for Display® are available for different types of mounting surfaces. **2**
- For aluminum frame / For wall panel and sheet metal—**DTS*-AF**
- For aluminum frame end surface mounting—**DTS*-AA**
- For Round Pipe—**DTS*-PB**

- This is suitable for checking the tablet PC screen while both hands are in use.
- For detailed dimensions of the holder, refer to **DTR**. → P.xxxx
- The holder can be tilted by ±90° to the single axis direction.



- We also produce Mounting System for Display® with special specifications compatible with tablet PCs of various sizes.
→ P.xxxx



- Part number specification

DTS N-AA-40

Product Code **1** **2** **3**

Example of part number: DTS-AF-M8 / DTSN-PB-40

- For aluminum frame / For wall panel and sheet metal

DTS-AF



DTSN-AF



Part Number	M(d)	Mass (g)
DTS-AF-**	M4 (5)	1590
	M5 (6)	
	M6 (7)	
	M8 (9)	
DTSN-AF-**	M4 (5)	1540
	M5 (6)	
	M6 (7)	
	M8 (9)	

Unit : mm

- For aluminum frame end surface mounting

DTS-AA



DTSN-AA



Part Number	B	Mass (g)
DTS-AA-40	40	1360
DTSN-AA-40	40	1310

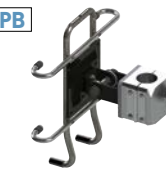
Unit : mm

- For Round Pipe

DTS-PB



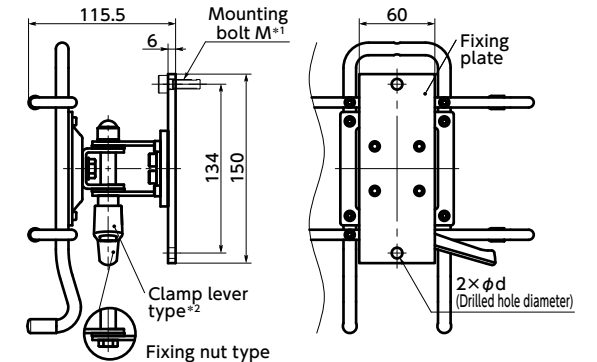
DTSN-PB



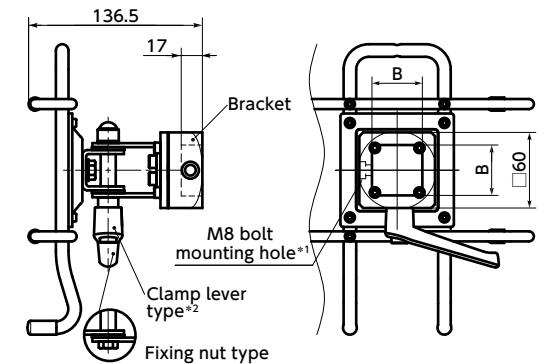
Part Number	D	L1	L	Mass (g)
DTS-PB-**	28	133.5	157.5	1510
	30			1510
	34			1470
	40			1490
	42.7			1460
DTSN-PB-**	28	133.5	157.5	1460
	30			1460
	34			1420
	40			1440
	42.7			1410

Unit : mm

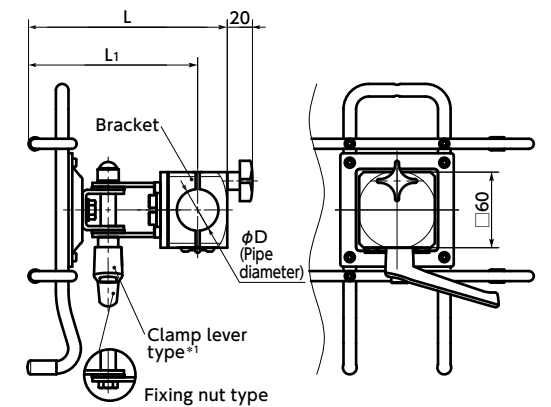
- Fixing rubber sheet is attached. Dimensional allowance of available round pipe is ±0.5 mm.



- *1 : Mounting bolts are not supplied.
- *2 : The clamp lever setscrews for the clamp lever type **DTS** have been changed from hex sockets to hexalobular sockets.



- *1 : Hex socket low head bolts (M8 × 16 mm) are provided.
- *2 : The clamp lever setscrews for the clamp lever type **DTS** have been changed from hex sockets to hexalobular sockets.



- *1 : The clamp lever setscrews for the clamp lever type **DTS** have been changed from hex sockets to hexalobular sockets.