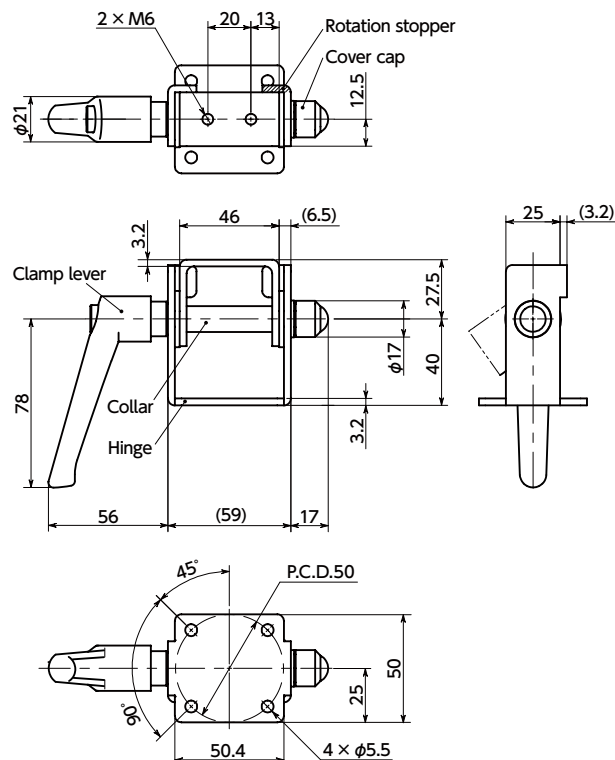
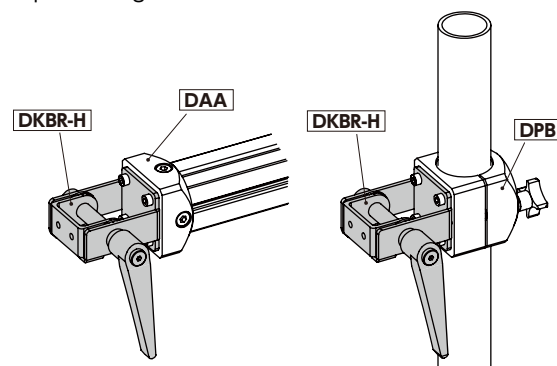


# DKBR-H Angle Hinge - Clamp Lever Retention - Rotation Restriction

□ wall/panel Mount



- You can adjust the workpiece angle.
- Tightening the clamp lever will retain the angle after adjustment.
- The rotation stopper restricts the range of rotation of the mounted workpiece.
- Suitable for keyboards or other workpieces where there are angle restrictions.
- Because the aluminum frame end surface mounting bracket **DAA** (→ P.xxxx), mounting plate **DAF** (→ P.xxxx), and for round pipe bracket **DPB** (→ P.xxxx) have compatible mounting dimensions, you can combine them for use, as is, without any processing.



## Material/Finish



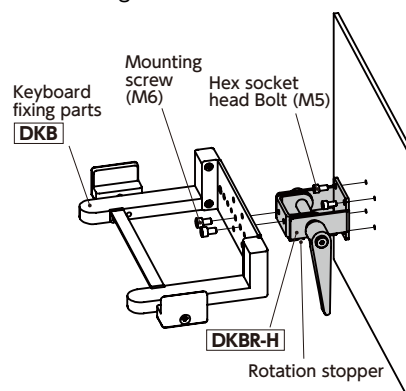
	<b>DKBR-H</b>
Hinge	SPCC Electrostatic Coating (black)
Clamp Lever	Nylon 6 (Matte Black)
Cover Cap	Polyethylene (Black)
Collar	SPCC Trivalent Chromate Treatment

## Application

Machine tool / Medical equipment / FPD production device / Semiconductor manufacturing device / Packing machine / Food machinery

## Installation Method

Use a mounting screw (M6) to fix the workpiece.  
For mounting to the device, use a hex head mounting bolt (M5).



Part Number	Max. Load Weight (kg)	Mass (g)
<b>DKBR-H-60</b>	6	321

• Mounting bolts are not supplied.

## ⚠ Precautions for Use

- Even when the clamp lever is in a loosened state, a certain specified torque (0.1N·m or higher) is necessary for angle adjustment. When performing angle adjustment, be careful to avoid applying an excessive load to the load item.
- Do not try to forcibly adjust the angle when the fixing lever is in a tightened state. This will wear down the retention part, reducing its retention force.



## • Related Products

Keyboard mounting system **DKB** that can be mounted on an angle hinge is available.



Parts can be used in combination.  
For Aluminum Frame End Surface Mounting Bracket **DAA**  
Mounting Plate **DAF**  
For Round Pipe Bracket **DPB**



## • Part number specification

**DKBR-H-60**

