

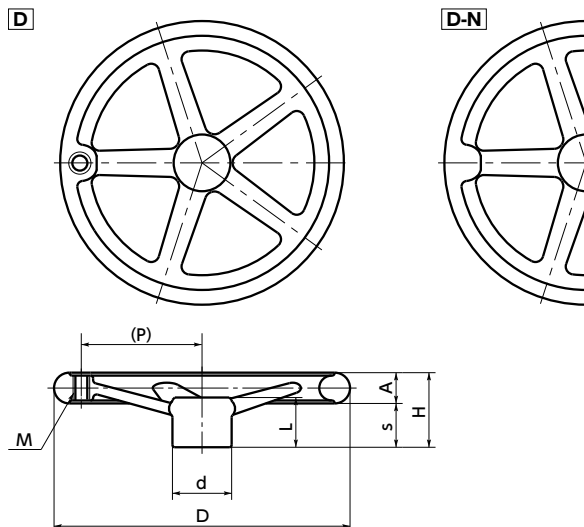
D Offset Handwheels



WEB Selection Tool

WEB CAD Download

Shaft bore process required



- Products with/without grip mounting holes can be selected by the end symbol of the part number.
 - D** — With grip mounting hole
 - D-N** — Without grip mounting hole
- There is no grip supplied with this product. Order a grip separately. → P.xxxx

Material/Finish

RoHS2 Compliant

| | D |
|-----------|-------------------------|
| Main body | FC200 Chrome Plating |

Unit : mm

| Part Number With Grip Mounting Holes | M (Coarse) | | P | Part Number Without Grip Mounting Holes | D | H | A | s | d | L | Number of Spokes | Mass (g) |
|---|-------------------|-------|-------|--|-----|----|----|----|----|----|------------------|----------|
| | Nominal of Thread | Pitch | | | | | | | | | | |
| D-80 | M5 | 0.8 | 27 | D-80-N | 80 | 36 | 14 | 22 | 24 | 24 | 3 | 430 |
| D-100 | M5 | 0.8 | 35.5 | D-100-N | 100 | 39 | 15 | 24 | 30 | 25 | 3 | 630 |
| D-125 | M6 | 1 | 46.5 | D-125-N | 125 | 40 | 16 | 24 | 33 | 28 | 3 | 755 |
| D-140 | M6 | 1 | 53.5 | D-140-N | 140 | 44 | 17 | 27 | 35 | 30 | 3 | 1360 |
| D-150 | M8 | 1.25 | 56 | D-150-N | 150 | 46 | 18 | 28 | 35 | 32 | 3 | 1410 |
| D-160 | M8 | 1.25 | 61 | D-160-N | 160 | 46 | 18 | 28 | 37 | 32 | 3 | 1200 |
| D-200 | M10 | 1.5 | 77 | D-200-N | 200 | 60 | 24 | 36 | 43 | 41 | 3 | 2250 |
| D-250 | M10 | 1.5 | 101.5 | D-250-N | 250 | 63 | 25 | 38 | 50 | 42 | 5 | 3710 |
| D-300 | M12 | 1.75 | 122 | D-300-N | 300 | 66 | 26 | 40 | 56 | 45 | 5 | 6150 |
| D-315 | M12 | 1.75 | 128.5 | D-315-N | 315 | 72 | 28 | 44 | 60 | 49 | 5 | 6650 |

Recommended applicable grip

| Part Number | Recommended Applicable Grip*1 | |
|--------------|--|---|
| | Plated Revolving Grip RM →P.xxxx | Plated Fixing Grip SM →P.xxxx |
| D-80 | | SM-5 |
| D-100 | | SM-5 |
| D-125 | RM-6 | SM-6 |
| D-140 | RM-6 | SM-6 |
| D-150 | RM-8 | SM-8 |
| D-160 | RM-8 | SM-8 |
| D-200 | RM-10 | SM-10 |
| D-250 | RM-10 | SM-10 |
| D-300 | RM-12 | SM-12 |
| D-315 | RM-12 | SM-12 |

*1: If a revolving grip other than the recommended applicable grip is used, the grip may not rotate.

Part number specification

D - 80 - N
Product Code

| | | | |
|-------------------------------------|------------------------------|------------------------|--|
| Cleanroom Wash & Packaging → P.xxxx | Vibration Resistant → P.xxxx | Laser Marking → P.xxxx | Modification of Shaft Hole Diameter → P.xxxx |
| Not Available | Not Available | Not Available | Available / Add'l charge |