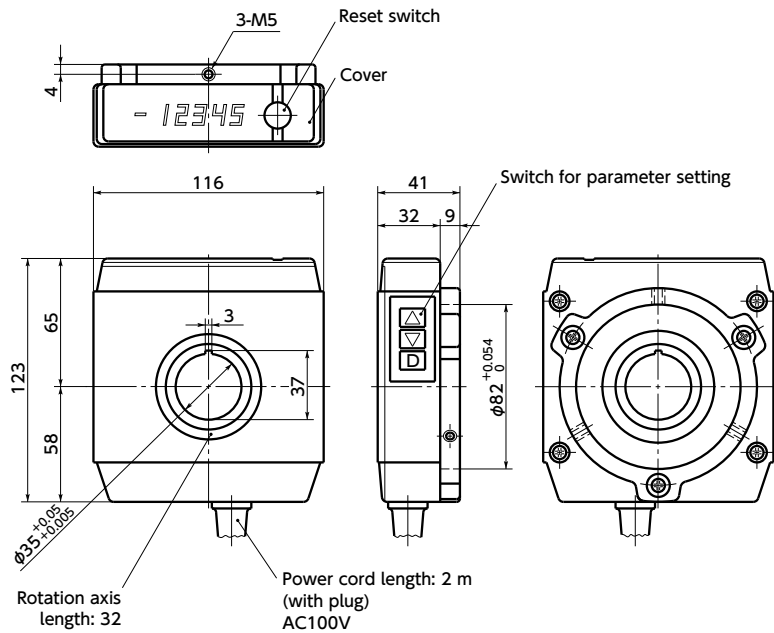
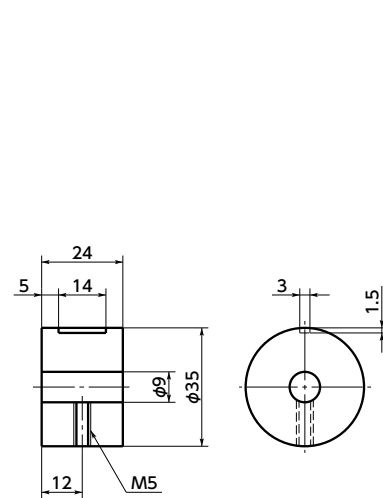


Main body



Collar



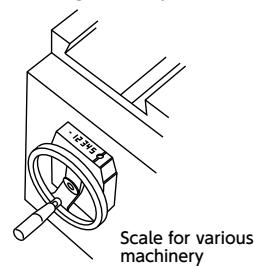
● Performance

Max. Number of Display Digits	Six digits / Red seven segment LED
Range of Count	Length measurement: 999999 ~ -99999 Angle $\pm 360.00^\circ$
Count Mode	Length measurement: Decimal, binary Angle in sexagesimal: 1 / 5 / 10 minute(s) Angle in decimal: 0.01 / 0.1 / 1° for reading
Position of Decimal Point	Custom setting by parameter
Lead Value	Custom setting by parameter
Memory	Nonvolatile memory, backup for 10 years
Max. Allowable Speed	700 min ⁻¹
Power Source	100 V AC $\pm 10\%$ (50 / 60 Hz)
Power Code	With 2 m plug
Power Consumption	2.2 W
Vibration-resistance	49 m/s ² for 30 minutes
Shock-resistance	Durability 294 m/s ² , three times each for X / Y and Z direction
Range of Allowable Operating Temperature	0°C to 45°C
Range of Storage Temperature	-20°C to 80°C

Part Number 1	Mass (g)
RNCL-300	900

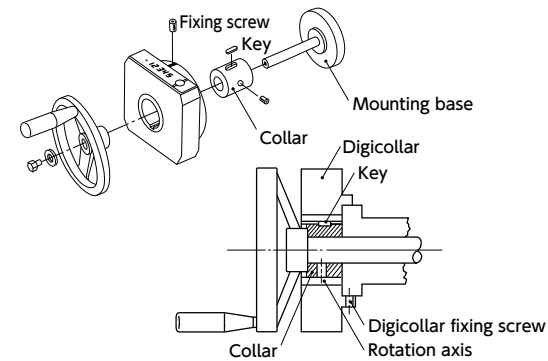
- Collar (hex socket set screw with key) is provided.

● Usage example

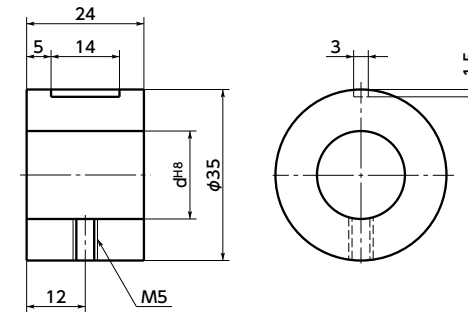


● Mounting

- ① Process the mounting base in accordance with the mounting-pilot section of the main body ($\phi 820$ to $+0.054$) (Recommended dimension: $\phi 82^{f7}$).
- ② Process the collar to match the shaft diameter. Bore diameter collar **RNCL-R** (optional) is available.
- ③ After mounting the shaft to the collar, set-in the main body to the mounting base, and then secure it with fixing screws.



● **RNCL-R** Bore diameter collar (optional)



RoHS

	RNCL-R
Main body	S45C Ferrosoferric Oxide Film (Black)

● Dimensions

Part Number 2	d	Mass (g)
RNCL-R18	18	136
RNCL-R20	20	125
RNCL-R22	22	112
RNCL-R24	24	98
RNCL-R25	25	90
RNCL-R26	26	83

- With hex socket set screw without key.
- Use the key provided with the main body of the Digicollar.



● Measuring unit

- Correct digital display of the feed rate is possible by just setting it to the feed rotation axis.
- Preset function to set the current value to the home position is provided.
- The custom decimal point position can be set (range from 1 to 0.0001 mm).
- It can be applied to any lead value by setting the parameter. It can be converted to millimeter or inch.
- A nonvolatile memory stores the count value / the parameter setting values for 10 years.
- 100 V AC (50 / 60 Hz) supported.
- Dust-proof structure is provided, however, it is not protected from water / oil. Front: IP62 Back: IP50
- Bore diameter of the attached collar is $\phi 9$ mm. Shaft hole processing can be performed upon the order. Please feel free to contact our customer service.
- Bore diameter collar whose shaft hole is already processed **RNCL-R** (optional) is available.

● Part number specification

RNCL-300

1 Main Body of Digicollar

RNCL-R18

2 Bore Diameter Collar (Optional)