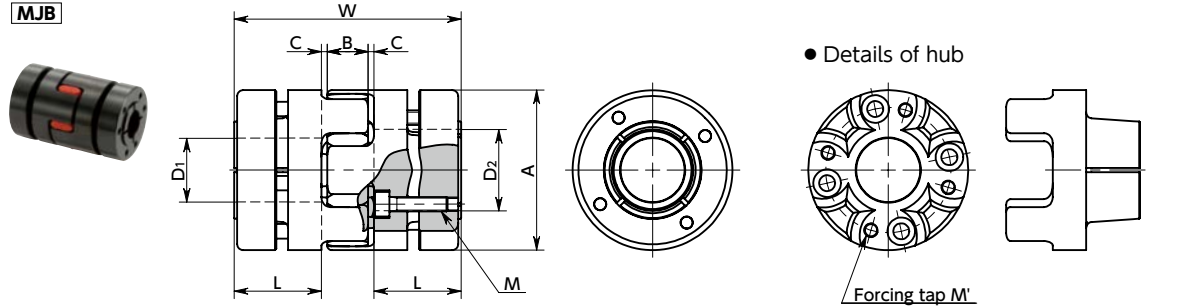


# MJB Flexible Couplings - Jaw Type (Bushing)

High torque Vibration absorption Electrical Insulation



## Dimensions

Unit : mm

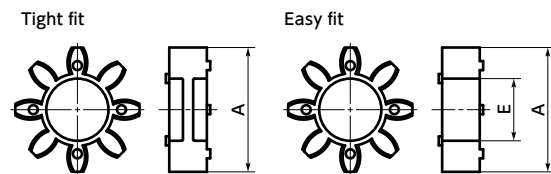
Part Number	A	L	W	B	C*1	Sleeve E	M	Number of Bolts	Forcing Tap M'	Screw Tightening Torque (N·m)
MJB-40	40	25	66	12	2	17	M4	6	M4	4
MJB-55	55	30	78	14	2	26	M5	4	M5	8.5
MJB-65	65	35	90	15	2.5	29.5	M5	8	M5	8.5
MJB-80	80	45	114	18	3	35.5	M6	8	M6	14
MJB-95	95	50	126	20	3	44	M8	8	M8	35

\*1 : Use with C Dimension

Part Number	Standard Bore Diameter D1 · D2																								
	8	9.525	10	11	12	14	15	16	18	19	20	22	24	25	28	30	32	35	38	40	42	45	48	50	
MJB-40	●	●	●	●	●	●	●	●	●	●	●														
MJB-55			●	●	●	●	●	●	●	●	●	●	●	●	●										
MJB-65				●	●	●	●	●	●	●	●	●	●	●	●	●	●	●	●	●	●	●	●	●	●
MJB-80											●	●	●	●	●	●	●	●	●	●	●	●	●	●	●
MJB-95															●	●	●	●	●	●	●	●	●	●	●

- All products are provided with hex socket head cap screw.
- Recommended tolerance for shaft diameters is h6 and h7.
- For the shaft insertion amount to the coupling, see Mounting/maintenance.

### Sleeve Details



## Performance

Part Number	Sleeve		Max. Bore Diameter (mm)	Rated Torque *1 (N·m)	Max.*1 Torque (N·m)	Max. Rotational Frequency (min <sup>-1</sup> )	Moment*2 of Inertia (kg·m <sup>2</sup> )	Static Torsional Stiffness (N·m / rad)	Max. Lateral Misalignment (mm)	Max. Angular Misalignment (°)	Max. Axial Misalignment (mm)	Mass *2 (g)	Sleeve Hardness (JIS)
	Tight Fit	Easy Fit											
MJB-40	BL	EBL	20	4.9	9.8	23000	8.6 x 10 <sup>-5</sup>	380	0.15	1	0 - +1.2	400	A80
MJB-55	BL	EBL	28	17	34	17000	3.7 x 10 <sup>-4</sup>	1400	0.2	1	0 - +1.4	800	
MJB-65	BL	EBL	38	46	92	14000	8.0 x 10 <sup>-4</sup>	2800	0.2	1	0 - +1.5	1100	
MJB-80	BL	EBL	45	95	190	11000	2.5 x 10 <sup>-3</sup>	3200	0.2	1	0 - +1.8	2300	
MJB-95	BL	EBL	50	130	260	10000	5.4 x 10 <sup>-3</sup>	3600	0.2	1	0 - +2.0	4000	
MJB-40	WH	EWH	20	10	20	23000	8.6 x 10 <sup>-5</sup>	570	0.1	1	0 - +1.2	400	A92
MJB-55	WH	EWH	28	35	70	17000	3.7 x 10 <sup>-4</sup>	1600	0.15	1	0 - +1.4	800	
MJB-65	WH	EWH	38	95	190	14000	8.0 x 10 <sup>-4</sup>	3000	0.15	1	0 - +1.5	1100	
MJB-80	WH	EWH	45	190	380	11000	2.5 x 10 <sup>-3</sup>	5300	0.15	1	0 - +1.8	2300	
MJB-95	WH	EWH	50	265	530	10000	5.4 x 10 <sup>-3</sup>	6200	0.15	1	0 - +2.0	4000	
MJB-40	RD	ERD	20	17	34	23000	8.6 x 10 <sup>-5</sup>	1200	0.1	1	0 - +1.2	400	A98
MJB-55	RD	ERD	28	60	120	17000	3.7 x 10 <sup>-4</sup>	2600	0.1	1	0 - +1.4	800	
MJB-65	RD	ERD	38	160	320	14000	8.0 x 10 <sup>-4</sup>	4900	0.1	1	0 - +1.5	1100	
MJB-80	RD	ERD	45	325	650	11000	2.5 x 10 <sup>-3</sup>	6500	0.1	1	0 - +1.8	2300	
MJB-95	RD	ERD	50	450	900	10000	5.4 x 10 <sup>-3</sup>	8900	0.1	1	0 - +2.0	4000	
MJB-40	GR	EGR	20	21	42	23000	8.6 x 10 <sup>-5</sup>	3000	0.08	1	0 - +1.2	400	D64
MJB-55	GR	EGR	28	75	150	17000	3.7 x 10 <sup>-4</sup>	9000	0.08	1	0 - +1.4	800	
MJB-65	GR	EGR	38	200	400	14000	8.0 x 10 <sup>-4</sup>	13000	0.08	1	0 - +1.5	1100	
MJB-80	GR	EGR	45	405	810	11000	2.5 x 10 <sup>-3</sup>	14000	0.08	1	0 - +1.8	2300	
MJB-95	GR	EGR	50	560	1120	10000	5.4 x 10 <sup>-3</sup>	15000	0.08	1	0 - +2.0	4000	

\*1 : Correction of rated torque and max. torque due to load fluctuation is not required. However, if ambient temperature exceeds 30°C, be sure to correct the rated torque and max. torque with temperature correction factor shown in the following table. The allowable operating temperature of MJB is -20°C to 60°C.

\* The shaft's slip torque may be smaller than the coupling's rated torque depending on the shaft bore. → P.xxxx

\*2 : These are values with max. bore diameter.

### Ambient Temperature / Temperature Correction Factor

Ambient Temperature	Temperature Correction Factor
-20°C to 30°C	1.00
30°C to 40°C	0.80
40°C to 60°C	0.70

### Part number specification

MJB-65-EWH-16-20 1 Set

MJ-40 - RD-SLV Single Sleeve

Sleeve Symbol Outside Diameter (Dimension A) Sleeve Symbol

Additional Keyway at Shaft Hole → P.xxxx Cleanroom Wash & Packaging → P.xxxx Change to Stainless Steel Screw → P.xxxx