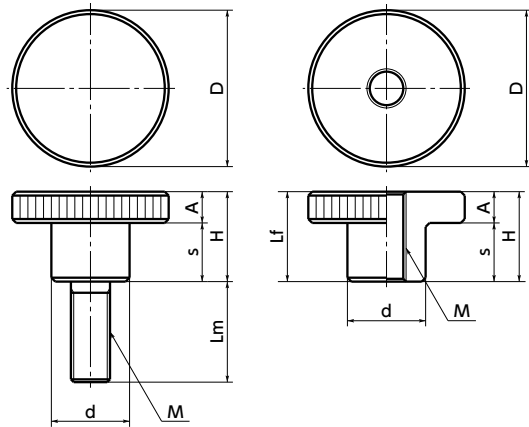


KNM
KNMS

KNF
KNFS



- A rich variety of thread sizes from M3 to M10 are available.
- There are two types of materials.
 - KNM** **KNF** — Made of steel
 - KNMS** **KNFS** — Made of Stainless Steel
- Materials and types can be selected by a product code.

Product Code	Material	Type
KNM	Made of Steel	Male Screw
KNF	Made of Steel	Female Screw
KNMS	Made of Stainless Steel	Male Screw
KNFS	Made of Stainless Steel	Female Screw



• **KNM** has a round-shaped thread tip to be distinguished from **KNMS**.

• Material/Finish

RoHS2 Compliant

	KNM	KNF	KNMS / KNFS
Main Body	SWCH10R Buffing / Chrome Plating	SUM22L Buffing / Chrome Plating	SUS303*1

*1: For **KNMS-36-M10**, it is SUS304.

Dimensions

KNM **KNMS** Male Screw

Unit : mm

Part Number Made of Steel	Part Number Made of Stainless Steel	D 2	M (Coarse)		H	s	A	d	Mass (g)
			Nominal of Thread 3	Pitch					
KNM-12-M3	KNMS-12-M3	12	M3	0.5	7.5	5	2.5	6	3 - 4
KNM-16-M4	KNMS-16-M4	16	M4	0.7	9.5	6	3.5	8	9 - 10
KNM-20-M5	KNMS-20-M5	20	M5	0.8	11.5	7.5	4	10	15 - 16
KNM-24-M6	KNMS-24-M6	24	M6	1	15	10	5	12	28 - 32
KNM-30-M8	KNMS-30-M8	30	M8	1.25	18	12	6	16	58 - 61
KNM-36-M10	KNMS-36-M10	36	M10	1.5	23	15	8	20	108 - 120

KNF **KNFS** Female Screw

Unit : mm

Part Number Made of Steel	Part Number Made of Stainless Steel	D 2	M (Coarse)		Lf	H	s	A	d	Mass (g)
			Nominal of Thread 3	Pitch						
KNF-12-M3	KNFS-12-M3	12	M3	0.5	7.5	7.5	5	2.5	6	3
KNF-16-M4	KNFS-16-M4	16	M4	0.7	9.5	9.5	6	3.5	8	7
KNF-20-M5	KNFS-20-M5	20	M5	0.8	11.5	11.5	7.5	4	10	13
KNF-24-M6	KNFS-24-M6	24	M6	1	15	15	10	5	12	23
KNF-30-M8	KNFS-30-M8	30	M8	1.25	18	18	12	6	16	45
KNF-36-M10	KNFS-36-M10	36	M10	1.5	23	23	15	8	20	86

KNM **KNF** Made of Steel | **KNMS** **KNFS** Made of Stainless Steel

Part Number Male Screw	Lm (mm) 4							Part Number Female Screw
	6	10	16	20	25	30	40	
KNM-12-M3	2.70	2.70	3.16					KNF-12-M3
KNM-16-M4	3.79	3.79	3.79					KNF-16-M4
KNM-20-M5		4.10	4.10	4.10				KNF-20-M5
KNM-24-M6		6.01	6.01	6.01	6.01	6.01		KNF-24-M6
KNM-30-M8			7.56	7.56	7.56	7.56		KNF-30-M8
KNM-36-M10				13.08	13.08	13.08	13.08	KNF-36-M10
KNMS-12-M3	6.01	6.01	6.01					KNFS-12-M3
KNMS-16-M4	7.41	7.41	7.41					KNFS-16-M4
KNMS-20-M5		9.14	9.14	9.14				KNFS-20-M5
KNMS-24-M6		11.03	11.03	11.03	11.03	11.03		KNFS-24-M6
KNMS-30-M8			15.43	15.43	15.43	15.43		KNFS-30-M8
KNMS-36-M10				19.05	19.05	19.05	19.05	KNFS-36-M10

• Related Products

Flat type knurled knobs **KUM**
KUF **KUMS** **KUFS** are available.
→ P.xxxx



Captive knurled knobs **KNM-SC**
and **KNMS-SC** are available.
→ P.xxxx



• Part number specification

KNM - 24 - M6 - 20

1 **2** **3** **4**

For male screw type, select a **4** thread length Lm from the dimension table.