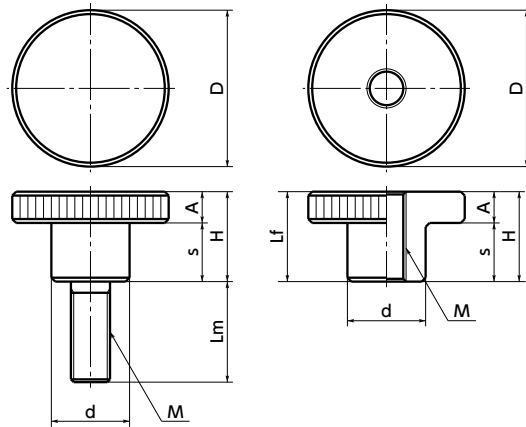


**KNM**  
**KNMS**

**KNF**  
**KNFS**



- A rich variety of thread sizes from M3 to M10 are available.
- There are two types of materials.
  - KNM** **KNF** — Made of steel
  - KNMS** **KNFS** — Made of Stainless Steel
- Materials and types can be selected by a product code.

Product Code	Material	Type
<b>KNM</b>	Made of Steel	Male Screw
<b>KNF</b>	Made of Steel	Female Screw
<b>KNMS</b>	Made of Stainless Steel	Male Screw
<b>KNFS</b>	Made of Stainless Steel	Female Screw

• **KNM** has a round-shaped thread tip to be distinguished from **KNMS** **KNMS-KF**.

• Material/Finish

RoHS2 Compliant

	<b>KNM</b>	<b>KNF</b>	<b>KNMS / KNFS</b>
Main Body	SWCH10R Buffing / Chrome Plating	SUM22L Buffing / Chrome Plating	SUS303*1

\*1: For **KNMS-36-M10**, it is SUS304.

## Dimensions

**KNM** **KNMS** Male Screw

Part Number Made of Steel	Part Number Made of Stainless Steel	D <b>2</b>	M (Coarse)		H	s	A	d	Mass (g)
			Nominal of Thread <b>3</b>	Pitch					
<b>KNM-12-M3</b>	<b>KNMS-12-M3</b>	12	M3	0.5	7.5	5	2.5	6	3 - 4
<b>KNM-16-M4</b>	<b>KNMS-16-M4</b>	16	M4	0.7	9.5	6	3.5	8	9 - 10
<b>KNM-20-M5</b>	<b>KNMS-20-M5</b>	20	M5	0.8	11.5	7.5	4	10	15 - 16
<b>KNM-24-M6</b>	<b>KNMS-24-M6</b>	24	M6	1	15	10	5	12	28 - 32
<b>KNM-30-M8</b>	<b>KNMS-30-M8</b>	30	M8	1.25	18	12	6	16	58 - 61
<b>KNM-36-M10</b>	<b>KNMS-36-M10</b>	36	M10	1.5	23	15	8	20	108 - 120

**KNF** **KNFS** Female Screw

Part Number Made of Steel	Part Number Made of Stainless Steel	D <b>2</b>	M (Coarse)		Lf	H	s	A	d	Mass (g)
			Nominal of Thread <b>3</b>	Pitch						
<b>KNF-12-M3</b>	<b>KNFS-12-M3</b>	12	M3	0.5	7.5	7.5	5	2.5	6	3
<b>KNF-16-M4</b>	<b>KNFS-16-M4</b>	16	M4	0.7	9.5	9.5	6	3.5	8	7
<b>KNF-20-M5</b>	<b>KNFS-20-M5</b>	20	M5	0.8	11.5	11.5	7.5	4	10	13
<b>KNF-24-M6</b>	<b>KNFS-24-M6</b>	24	M6	1	15	15	10	5	12	23
<b>KNF-30-M8</b>	<b>KNFS-30-M8</b>	30	M8	1.25	18	18	12	6	16	45
<b>KNF-36-M10</b>	<b>KNFS-36-M10</b>	36	M10	1.5	23	23	15	8	20	86



**KNM** **KNF** Made of Steel | **KNMS** **KNFS** Made of Stainless Steel

Part Number Male Screw	Lm (mm) <b>4</b>							Part Number Female Screw
	6	10	16	20	25	30	40	
<b>KNM-12-M3</b>	2.63	2.63	3.08					<b>KNF-12-M3</b>
<b>KNM-16-M4</b>	3.70	3.70	3.70					<b>KNF-16-M4</b>
<b>KNM-20-M5</b>		3.99	3.99	3.99				<b>KNF-20-M5</b>
<b>KNM-24-M6</b>		5.85	5.85	5.85	5.85	5.85		<b>KNF-24-M6</b>
<b>KNM-30-M8</b>			7.36	7.36	7.36	7.36		<b>KNF-30-M8</b>
<b>KNM-36-M10</b>				12.75	12.75	12.75	12.75	<b>KNF-36-M10</b>
<b>KNMS-12-M3</b>	5.85	5.85	5.85					<b>KNFS-12-M3</b>
<b>KNMS-16-M4</b>	7.22	7.22	7.22					<b>KNFS-16-M4</b>
<b>KNMS-20-M5</b>		8.92	8.92	8.92				<b>KNFS-20-M5</b>
<b>KNMS-24-M6</b>		10.75	10.75	10.75	10.75	10.75		<b>KNFS-24-M6</b>
<b>KNMS-30-M8</b>			15.05	15.05	15.05	15.05		<b>KNFS-30-M8</b>
<b>KNMS-36-M10</b>				18.58	18.58	18.58	18.58	<b>KNFS-36-M10</b>

### • Related Products

Flat type knurled knobs **KUM**  
**KUF** **KUMS** **KUFS** are available.  
→ P.xxxx



Captive knurled knobs **KNM-SC**  
and **KNMS-SC** are available.  
→ P.xxxx



### • Part number specification

**KNM-24-M6-20**

**1** **2** **3** **4**

For male screw type, select a **4** thread length Lm from the dimension table.