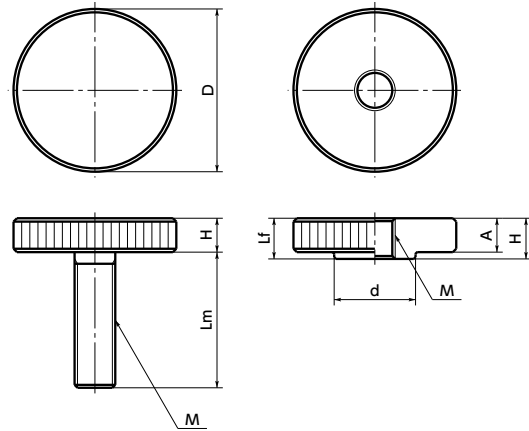


KUM
KUMS

KUF
KUFS



- Flat type knurled knobs.
- A rich variety of thread sizes from M3 to M10 are available.
- There are two types of materials.
 - KUM** **KUF** — Made of steel
 - KUMS** **KUFS** — Made of Stainless Steel
- Materials and types can be selected by a product code.

Product Code	Material	Type
KUM	Made of Steel	Male Screw
KUF	Made of Steel	Female Screw
KUMS	Made of Stainless Steel	Male Screw
KUFS	Made of Stainless Steel	Female Screw

- **KUM** has a round-shaped thread tip to be distinguished from **KUMS**.

• Material/Finish



	KUM	KUF	KUMS / KUFS
Main Body	SWCH10R Buffing / Chrome Plating	SUM22L Buffing / Chrome Plating	SUS303*1

*1: For **KUMS-36-M10**, it is SUS304.

Dimensions

KUM **KUMS** Male Screw

Unit : mm

Part Number Made of Steel	Part Number Made of Stainless Steel	D 2	M (Coarse)		H	Mass (g)
			Nominal of Thread 3	Pitch		
KUM-12-M3	KUMS-12-M3	12	M3	0.5	2.5	2 - 4
KUM-16-M4	KUMS-16-M4	16	M4	0.7	3.5	5 - 7
KUM-20-M5	KUMS-20-M5	20	M5	0.8	4	12 - 13
KUM-24-M6	KUMS-24-M6	24	M6	1	5	20 - 25
KUM-30-M8	KUMS-30-M8	30	M8	1.25	6	40 - 46
KUM-36-M10	KUMS-36-M10	36	M10	1.5	8	78 - 90

KUF **KUFS** Female Screw

Unit : mm

Part Number Made of Steel	Part Number Made of Stainless Steel	D 2	M (Coarse)		Lf	A	d	H	Mass (g)
			Nominal of Thread 3	Pitch					
KUF-12-M3	KUFS-12-M3	12	M3	0.5	3	2.5	6	3	2
KUF-16-M4	KUFS-16-M4	16	M4	0.7	4	3.5	8	4	5
KUF-20-M5	KUFS-20-M5	20	M5	0.8	5	4	10	5	10
KUF-24-M6	KUFS-24-M6	24	M6	1	6	5	12	6	18
KUF-30-M8	KUFS-30-M8	30	M8	1.25	8	6	16	8	34
KUF-36-M10	KUFS-36-M10	36	M10	1.5	10	8	20	10	64



KUM Made of Steel **KUMS** Made of Stainless Steel

Part Number Male Screw	Lm (mm) 4						
	6	10	16	20	25	30	40
KUM-12-M3	●	●	●				
KUM-16-M4	●	●	●				
KUM-20-M5		●	●	●			
KUM-24-M6		●	●	●	●	●	
KUM-30-M8			●	●	●	●	
KUM-36-M10				●	●	●	●
KUMS-12-M3	●	●	●				
KUMS-16-M4	●	●	●				
KUMS-20-M5		●	●	●			
KUMS-24-M6		●	●	●	●	●	
KUMS-30-M8			●	●	●	●	
KUMS-36-M10				●	●	●	●

- Part number specification

KUM - 24 - M6 - 20

1 **2** **3** **4**

For male screw type, select **4** screw length Lm from the sizes marked with ● in the table.

Cleanroom Wash & Packaging → P.0000	Screw Combination → P.0000	Screw Length Adjustment → P.0000	Vibration Resistant → P.0000	Laser Marking → P.0000
S.S. only/ Add'l charge	Not Available	Male screw only/ Add'l charge	Male screw only/ Add'l charge	S.S. only/ Add'l charge