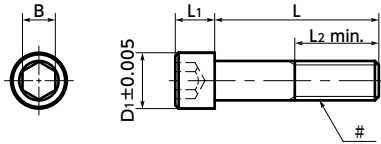


SNSS-SD(INCH) Hex Socket Head Cap Screws with Small Head - Inch Thread NEW

WEB Selection Tool | WEB CAD Download | SUS Stainless steel | Small Head



● Material/Finish

RoHS2 Compliant

	SNSS-SD(INCH)
Main Body	Equivalent to SUS304
Strength Class	A2-50

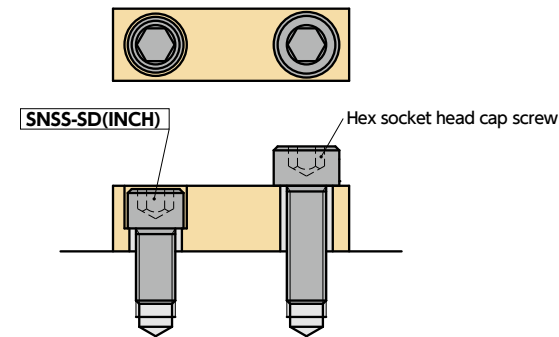
● Application

Reducing the size of equipment and devices which use inch threads

- Hex socket head cap screws with small head diameter. Able to reduce the spot facing diameters compared to standard hex socket head cap screws.
- Inch screw type.
- Install and remove by using **SKH(INCH)** (⇒ P.xxxx) Dedicated Hex Key.

● Usage example

It is possible to perform spot facing and hide the head in locations where spot facing is not possible with standard hex socket head cap screws.



⚠ Precautions for Use

- Since the head bearing surface area is small, the bearing surface pressure increases.
- Using the following formula as a reference, ensure that the bearing surface pressure due to screw tightening does not exceed the permitted surface pressure of the intended fastening material.

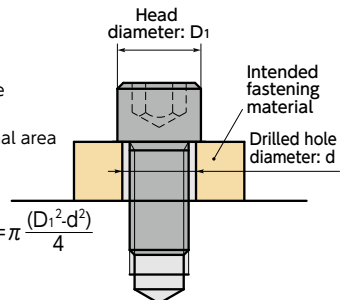
$$P = \sigma \frac{A_s}{A}$$

P: Bearing surface pressure
σ: Bolt stress

A_s: Screw effective sectional area
A: Bearing surface area

$$\text{Bearing surface area } A = \pi \frac{(D_1^2 - d^2)}{4}$$

D₁: Head diameter
d: Drilled hole diameter



● Screw Effective Sectional Area

Part Number	Screw Effective Sectional Area (in ²)	Screw Effective Sectional Area (mm ²)
SNSS-#4-40-SD	0.0061	3.95
SNSS-#6-32-SD	0.0092	5.95
SNSS-#8-32-SD	0.014	9.15
SNSS-#10-24-SD	0.018	11.5
SNSS-#10-32-SD	0.02	13
SNSS-1 / 4-20-SD	0.032	20.8
SNSS-5 / 16-18-SD	0.053	34.2

Unit : inch

Part Number	#Nominal of Thread	L	D1	L1	B	L2	Mass (g)
SNSS-#4-40-SD	No.4-40UNC	3 / 16	1 / 4	5 / 16	3 / 8	1 / 2	0.48 - 0.84
SNSS-#6-32-SD	No.6-32UNC		1 / 4	5 / 16	3 / 8	1 / 2	0.73 - 1.4
SNSS-#8-32-SD	No.8-32UNC		1 / 4	5 / 16	3 / 8	1 / 2	0.98 - 2.3
SNSS-#10-24-SD	No.10-24UNC		1 / 4	5 / 16	3 / 8	1 / 2	1.6 - 3.3
SNSS-#10-32-SD	No.10-32UNF		1 / 4	5 / 16	3 / 8	1 / 2	1.1 - 3.9
SNSS-1 / 4-20-SD	1/4-20UNC		1 / 4	5 / 16	3 / 8	1 / 2	7.1
SNSS-5 / 16-18-SD	5/16-18UNC					1 / 2	12

Part Number	per Pack Qty
SNSS-#4-40-SD	10
SNSS-#6-32-SD	10
SNSS-#8-32-SD	10
SNSS-#10-24-SD	10
SNSS-#10-32-SD	10
SNSS-1 / 4-20-SD	10
SNSS-5 / 16-18-SD	10

● Related Products

Hex keys dedicated for inch threads **SKH(INCH)** are available. ⇒ P.xxxx



Hex socket head cap screws with small heads **SNSS-SD** are available as metric threads. ⇒ P.xxxx



● Part number specification

SNSS-#4-40-1/4-SD

Order in number of packs. The minimum order quantity is 1 piece. ⇒ P.xxxx

1 Individual Sales → P.xxxx | Cleanroom Wash & Packaging → P.xxxx | Screw Length Adjustment → P.xxxx | Vibration Resistant → P.xxxx | Modification process for captive use → P.xxxx