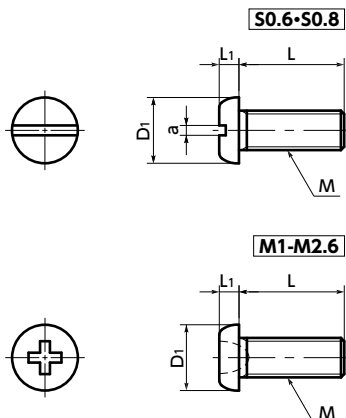


# SNZS Pan Head Machine Screws for Precision Instruments Additional Size



WEB Selection Tool
WEB CAD Download
Miniature Size
SUS Stainless steel



- Miniature screws for precision instruments in sizes from S0.6 to S0.8 and M1 to M2.6.
- Pan head machine screws of low profile. For applications with limited overhead space.

### • Application

Reducing the size of equipment and devices  
Compact precision instruments

### • Material/Finish



SNZS	
Main Body	SUSXM7 (Equivalent to SUS304)

### • Part number specification

## SNZS-M2-3



Order in number of packs.

Also sold separately from 1 piece up. → P.xxxx

Unit : mm

Part Number <sup>1</sup>	M (Coarse)		L <sup>2</sup>												D1	L1	a	Max. Torque (N·m)	Mass (g)	
	Nominal	of Thread Pitch	1	1.5	2															
SNZS-S0.6	S0.6	0.15	1	1.5	2										1.3	0.4	0.25	0.005	0.0031 - 0.0058	
SNZS-S0.8	S0.8	0.2	1	1.5	2										1.6	0.5	0.25	0.01	0.0067 - 0.011	
SNZS-M1	M1	0.25			2	3	4	5							1.8	0.45		0.02	0.013 - 0.025	
SNZS-M1.4	M1.4	0.3			2	3	4	5	6	8	10				2	0.5		0.07	0.024 - 0.09	
SNZS-M1.6	M1.6	0.35			2	3	4	5	6	8	10	12			2.3	0.5		0.1	0.014 - 0.13	
SNZS-M1.7	M1.7	0.35			2	3	4	5	6	8	10	12	14		2.5	0.5		0.14	0.036 - 0.18	
SNZS-M2	M2	0.4			2	2.5	3	3.5	4	5	6	8	10	12	14	3	0.6		0.22	0.055 - 0.26
SNZS-M2.5	M2.5	0.45				3	4	5	6	8					3.8	0.8		0.46	0.13 - 0.28	
SNZS-M2.6	M2.6	0.45				2.5	3	4	5	6	8				4	0.8		0.53	0.13 - 0.3	

Part Number	Qty per Pack*1
SNZS-S0.6	10
SNZS-S0.8	10
SNZS-M1	50
SNZS-M1.4	50
SNZS-M1.6	50
SNZS-M1.7	50
SNZS-M2	50
SNZS-M2.5	50
SNZS-M2.6	50

\*1: The minimum order is 1 piece. → P.xxxx

Individual Sales → P.xxxx	Cleanroom Wash & Packaging → P.xxxx	Screw Length Adjustment → P.xxxx	Vibration Resistant → P.xxxx	Modification process for captive use → P.xxxx
Available / Add'l charge	Available / Add'l charge	Not Available	Available / Add'l charge	Not Available