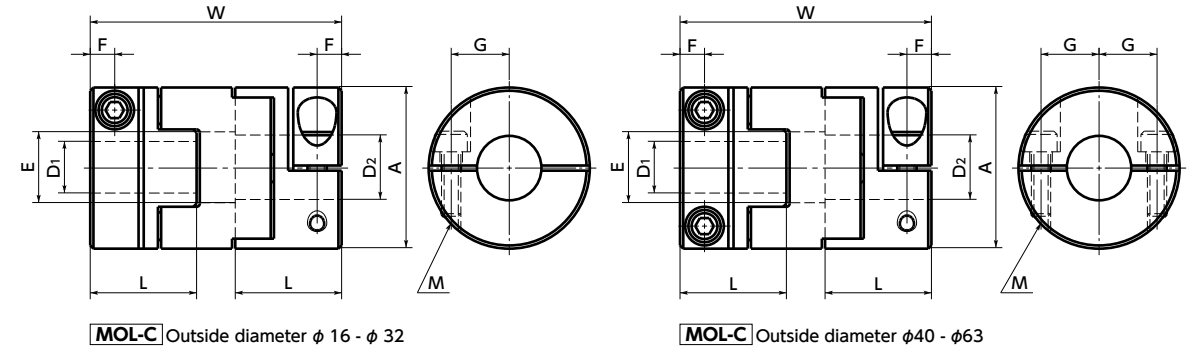
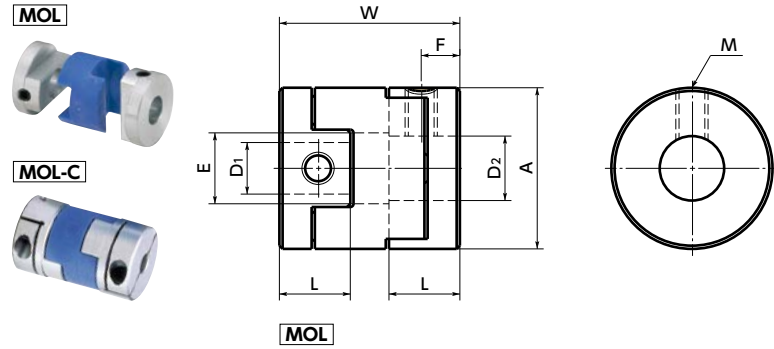


MOL/MOL-C Flexible Couplings - Oldham Type - Set Screw Type / Clamping Type

WEB Selection Tool | WEB CAD Download | Electrical Insulation | High Allowable Misalignment | Small Eccentric Reaction Force



Dimensions

Unit : mm

Part Number	A	L	W	E	F	G	M	Screw Tightening Torque (N·m)
MOL-16	16	7	18	7	3.5		M3	0.7
MOL-20	20	9	23	9	4.5		M4	1.7
MOL-25	25	11	28.2	11	5.5		M5	4
MOL-32	32	12.7	32.7	14.5	6.5		M6	7
MOL-40	40	14	32	17	7		M6	7
MOL-50	50	17	38.2	23	8.5		M8	15
MOL-63	63	21	46.6	28	10.5		M10	30
MOL-16C	16	12.5	29	7	3	5	M2.5	1
MOL-20C	20	14.4	33.8	9	3	6.5	M2.5	1
MOL-25C	25	16.5	39.2	11	3.8	9	M3	1.5
MOL-32C	32	18.7	44.7	14.5	4.5	11	M4	2.5
MOL-40C	40	23	50	17	7	13	M5	4
MOL-50C	50	27	58.2	23	8	16	M6	8
MOL-63C	63	33	70.6	28	10	21	M8	16

Part Number	Standard Bore Diameter D1/D2															
	3	4	5	6	6.35	8	9.525	10	11	12	14	15	16	18	20	25
MOL-16	●	●	●	●	●	●	●	●	●	●	●	●	●	●	●	●
MOL-20		●	●	●	●	●	●	●	●	●	●	●	●	●	●	●
MOL-25			●	●	●	●	●	●	●	●	●	●	●	●	●	●
MOL-32				●	●	●	●	●	●	●	●	●	●	●	●	●
MOL-40					●	●	●	●	●	●	●	●	●	●	●	●
MOL-50						●	●	●	●	●	●	●	●	●	●	●
MOL-63							●	●	●	●	●	●	●	●	●	●
MOL-16C			●	●	●	●	●	●	●	●	●	●	●	●	●	●
MOL-20C				●	●	●	●	●	●	●	●	●	●	●	●	●
MOL-25C					●	●	●	●	●	●	●	●	●	●	●	●
MOL-32C						●	●	●	●	●	●	●	●	●	●	●
MOL-40C							●	●	●	●	●	●	●	●	●	●
MOL-50C								●	●	●	●	●	●	●	●	●
MOL-63C									●	●	●	●	●	●	●	●

- All products are provided with hex socket set screw [MOL] or hex socket head cap screw [MOL-C].
- Tolerance of shaft bore on set screw type [MOL] is H8.
- Recommended tolerance for shaft diameters is h6 and h7.
- A set of hubs with set screw type for one side and clamping type for the other side is available upon request.

Additional Keyway at Shaft Hole → P.xxxx | Cleanroom Wash & Packaging → P.xxxx | Change to Stainless Steel Screw → P.xxxx
 Available / Add'l charge | Please feel free to contact us | Available / Add'l charge

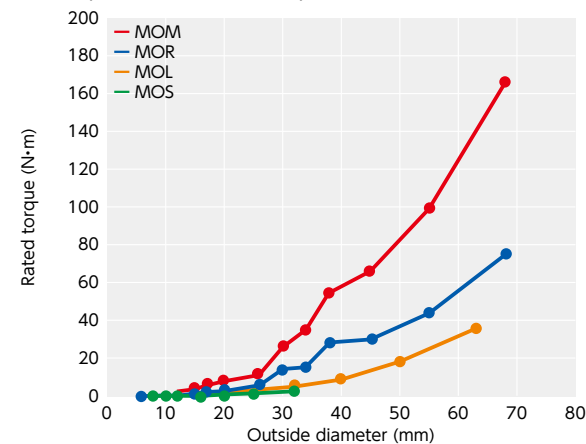
Performance

Part Number	Max. Bore Diameter (mm)	Rated Torque *1 (N·m)	Maximum Torque *1 (N·m)	Max. Rotational Frequency (min ⁻¹)	Moment of Inertia *2 (kg·m ²)	Static Torsional Stiffness (N·m/rad)	Max. Lateral Misalignment (mm)	Max. Angular Misalignment (°)	Mass *2 (g)
MOL-16	6.35	0.7	1.4	39000	3.2×10 ⁻⁷	31	1	3	7
MOL-20	8	1.2	2.4	31000	1.0×10 ⁻⁶	60	1.5	3	14
MOL-25	10	2	4	25000	3.0×10 ⁻⁶	140	2	3	27
MOL-32	14	4.5	9	19000	9.5×10 ⁻⁶	280	2.5	3	50
MOL-40	16	9	18	15000	2.3×10 ⁻⁵	540	3	3	80
MOL-50	20	18	36	12000	6.7×10 ⁻⁵	820	3.5	3	150
MOL-63	25	36	72	10000	2.2×10 ⁻⁴	1900	4	3	300
MOL-16C	6	0.7	1.4	39000	5.8×10 ⁻⁷	31	1	3	12
MOL-20C	8	1.2	2.4	31000	1.5×10 ⁻⁶	60	1.5	3	19
MOL-25C	10	2	4	25000	4.4×10 ⁻⁶	140	2	3	36
MOL-32C	14	4.5	9	19000	1.4×10 ⁻⁵	280	2.5	3	69
MOL-40C	16	9	18	15000	4.1×10 ⁻⁵	540	3	3	130
MOL-50C	20	18	36	12000	1.2×10 ⁻⁴	820	3.5	3	230
MOL-63C	25	36	72	10000	3.7×10 ⁻⁴	1900	4	3	450

*1 : Values with no load fluctuation and rotation in a single direction. If there is large load fluctuation, or both normal and reverse rotation, select a size with some margin. If ambient temperature exceeds 30°C, be sure to correct the rated torque and max. torque with temperature correction factor shown in the following table. The allowable operating temperature of [MOL] and [MOL-C] is -20°C to 80°C.

*2 : These are values with max. bore diameter.

• Comparison of rated torque



• Ambient Temperature / Temperature Correction Factor

Ambient Temperature	Temperature Correction Factor
-20°C to 30°C	1.00
30°C to 40°C	0.80
40°C to 60°C	0.70
60°C to 80°C	0.55

• Part number specification

MOL-40C-14-15 [1 Set]

MOL-40 - SPCR [Single Spacer]

Product Code | Outside Diameter (Dimension A) | Single Spacer

⚠ Precautions for Use

- In case of mounting on D-cut shaft, be careful about the position of the D-cut surface of the shaft. → P.xxxx
- There are sizes where the hex socket head bolt exceeds the outer diameter of the coupling and the rotating diameter is larger than the outer diameter. Please be careful of the interference of coupling. → P.xxxx