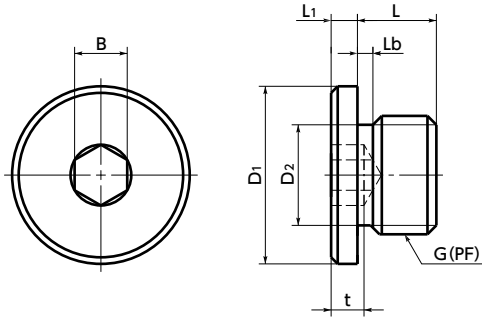


SFF/SFFS Hex Socket Flange Head Screw Plugs



WEB Selection Tool WEB CAD Download SUS Stainless steel



● Part number specification

SFF-3



- Screw plugs for high-power hydraulic applications.
- **SFF** is made of steel and can be used in highpressure applications up to 49 MPa.

● Application

Hydraulic equipment, pneumatic machinery and equipment, and general industrial machines

● Material/Finish

RoHS2 Compliant

	SFF	SFFS
Main Body	SCM435 (Hardness 32 - 42 HRC) Ferrosoferric Oxide Coating (Black)	SUS304

SFF Steel • Ferrosoferric Oxide Coating

Unit : mm

Part Number	G (PF) Nominal of Thread	L	D1	L1	D2	B	t	Lb	O-ring No.	Recommendation Torque (N·m)	Mass (g)	Qty per pack
SFF-1	G1/8	10	16	4	8.2	5	3	2	P8	14.7	9	1
SFF-2	G1/4	12	21	4	11.2	6	4	2.5	P11	29.4	17	1
SFF-3	G3/8	12	24	4	14.2	8	5	2.5	P14	49	27	1
SFF-4	G1/2	16	30	4	18.2	10	6	2.5	P18	78.5	54	1
SFF-6	G3/4	16	40	5	23.7	12	7	3.5	P24	147	90	1
SFF-8	G1	21	45	5	29.2	17	10	3.5	P29	245	177	1

SFFS Stainless Steel

Unit : mm

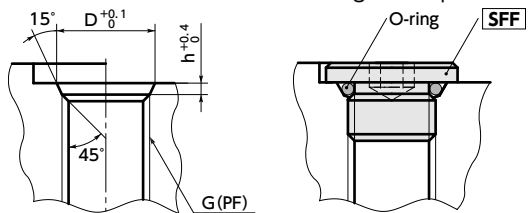
Part Number	G (PF) Nominal of Thread	L	D1	L1	D2	B	t	Lb	O-ring No.	Recommendation Torque (N·m)	Mass (g)	Qty per pack
SFFS-1	G1/8	10	16	4	8.2	5	3	2	P8	7.4	9	1
SFFS-2	G1/4	12	21	4	11.2	6	4	2.5	P11	14.7	17	1
SFFS-3	G3/8	12	24	4	14.2	8	5	2.5	P14	24.5	27	1
SFFS-4	G1/2	16	30	4	18.2	10	6	2.5	P18	39.3	54	1
SFFS-6	G3/4	16	40	5	23.7	12	7	3.5	P24	73.5	90	1
SFFS-8	G1	21	45	5	29.2	17	10	3.5	P29	122.5	177	1

● Installation Dimensions

Unit : mm

G (PF)	D	h
G 1/8	11.6	2
G 1/4	15.6	2.5
G 3/8	18.6	2.5
G 1/2	22.6	2.5
G 3/4	29.8	3.5
G1	35.8	3.5

● Usage example



Individual Sales → P.0000 Cleanroom Wash & Packaging → P.0000 Screw Length Adjustment → P.0000 Vibration Resistant → P.0000 Modification process for captive use → P.0000

1 pc. in 1 bag S.S. only/ Add'l charge Not Available Not Available Not Available