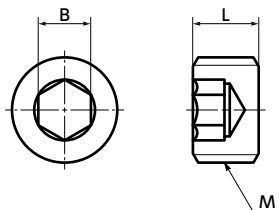




SFP Hex Socket Head Parallel Screw Plugs

WEB Selection
Tool

WEB CAD
Download



- For applications such as compression spring holders and oil injection opening covers.

● Application

Spring holders and load adjusters, Hydraulic equipment, pneumatic machinery and equipment, and general industrial machines

● Material/Finish

RoHS2 Compliant

SFP	
Main Body	S45C (Hardness: 34 - 43 HRC) Ferrosoferric Oxide Film (Black)

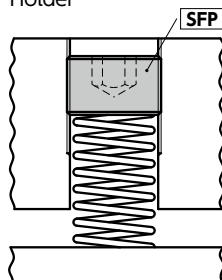
Unit : mm

Part Number	M (Fine)		L	B	Mass (g)	Qty per pack*1
	Nominal of Thread	Pitch				
SFP-M12	M12	1.5	10	6	5	10
SFP-M14	M14	1.5	10	6	8	10
SFP-M16	M16	1.5	10	8	10	10
SFP-M18	M18	1.5	10	10	12	5
SFP-M20	M20	1.5	12	10	20	5
SFP-M22	M22	1.5	12	12	23	5
SFP-M24	M24	1.5	12	14	27	5
SFP-M27	M27	1.5	12	14	37	5
SFP-M30	M30	1.5	12	17	44	5
SFP-M33	M33	1.5	12	17	55	5
SFP-M36	M36	1.5	18	17	107	1

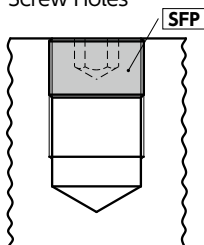
*1 : Also sold separately from 1 piece up. → P.xxxx

● Usage example

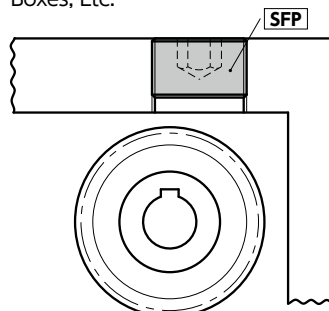
Compression Spring Holder



Protection for Unused Screw Holes



Oil Injection Opening Cover in Gear Boxes, Etc.



● Part number specification

SFP-M16



Order in number of packs.

Also sold separately from 1 piece up. → P.xxxx

Individual Sales → P.xxxx	Cleanroom Wash & Packaging → P.xxxx	Screw Length Adjustment → P.xxxx	Vibration Resistant → P.xxxx	Modification process for captive use → P.xxxx
Available / Add'l charge	Not Available	Not Available	Please feel free to contact us	Not Available