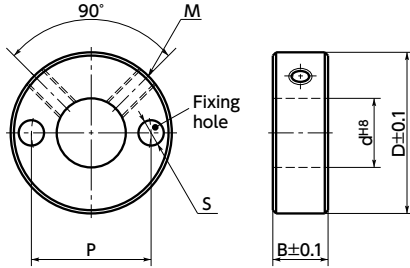


NSC Set Collars - with Installation Hole - Set Screw Type



WEB Selection Tool WEB CAD Download SUS Stainless steel

NSC-CP2



● Part number specification

NSC-12-12-SP2



- Set collar with installation hole. It can be installed to any machine and device such as wheels, flanges and plates, by using the fixing hole.
- It is attached to the shaft by the set screws.

● Material/Finish

RoHS2 Compliant

	NSC-CP2	NSC-MP2	NSC-SP2
Main body	S45C Ferrosoferric Oxide Film (Black)	S45C Electroless Nickel Plating	SUS304
Hex Socket Set Screw	SCM435 Ferrosoferric Oxide Film (Black)	SUSXM7	SUSXM7

NSC-CP2 Made of Steel, Ferrosoferric Oxide Film NSC-MP2 Made of Steel, Electroless Nickel Plating

NSC-SP2 Made of Stainless Steel

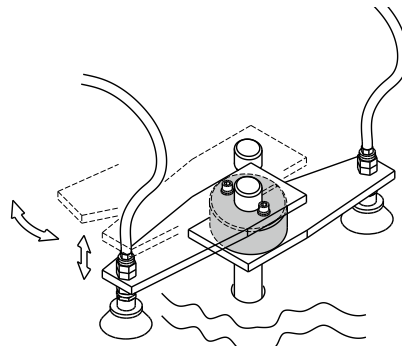
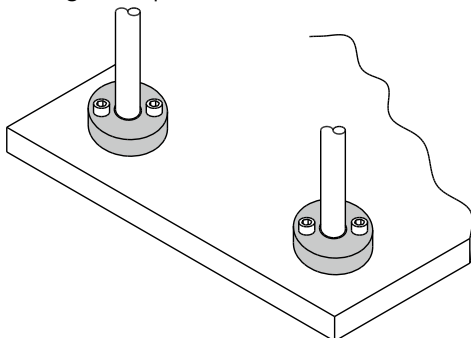
Unit : mm

Part Number	Part Number	Part Number	d	B	D	S	P	M*1 (Coarse)	Mass (g)
NSC-3-6-CP2	NSC-3-6-MP2	NSC-3-6-SP2	3	6	17	3.4	11	M3	9
NSC-4-6-CP2	NSC-4-6-MP2	NSC-4-6-SP2	4	6	18	3.4	12	M3	10
NSC-5-10-CP2	NSC-5-10-MP2	NSC-5-10-SP2	5	10	22	4.5	15	M4	25
NSC-6-10-CP2	NSC-6-10-MP2	NSC-6-10-SP2	6	10	22	4.5	15	M4	24
NSC-8-10-CP2	NSC-8-10-MP2	NSC-8-10-SP2	8	10	24	4.5	17	M4	28
NSC-10-10-CP2	NSC-10-10-MP2	NSC-10-10-SP2	10	10	26	4.5	19	M4	31
NSC-12-12-CP2	NSC-12-12-MP2	NSC-12-12-SP2	12	12	32	5.5	23	M5	57
NSC-13-12-CP2	NSC-13-12-MP2	NSC-13-12-SP2	13	12	33	5.5	24	M5	61
NSC-15-12-CP2	NSC-15-12-MP2	NSC-15-12-SP2	15	12	35	5.5	26	M5	65
NSC-16-12-CP2	NSC-16-12-MP2	NSC-16-12-SP2	16	12	40	6.6	28	M6	88
NSC-20-12-CP2	NSC-20-12-MP2	NSC-20-12-SP2	20	12	44	6.6	32	M6	102
NSC-25-15-CP2	NSC-25-15-MP2	NSC-25-15-SP2	25	15	50	6.6	37	M8	160
NSC-30-15-CP2	NSC-30-15-MP2	NSC-30-15-SP2	30	15	55	6.6	42	M8	177
NSC-35-15-CP2	NSC-35-15-MP2	NSC-35-15-SP2	35	15	60	6.6	47	M8	203
NSC-40-20-CP2	NSC-40-20-MP2	NSC-40-20-SP2	40	20	70	9	55	M10	375
NSC-50-25-CP2	NSC-50-25-MP2	NSC-50-25-SP2	50	25	86	11	68	M10	698

*1 : Hex socket set screw is provided.

*1 : If d dimension is 5 or below, one point.

● Usage example



Cleanroom Wash & Packaging → P.0000	Screw Length Adjustment → P.0000	Vibration Resistant → P.0000	Laser Marking → P.0000
Please feel free to contact us	Not Available	Not Available	Available / Add'l charge