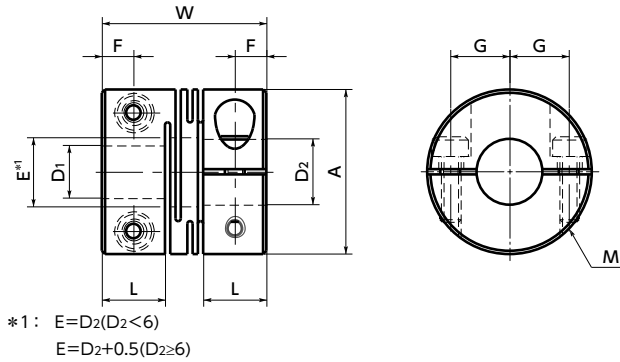


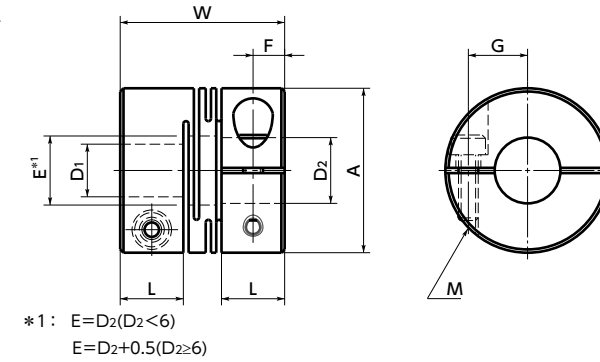
# MWS-C/MWSS-C Flexible Couplings - Slit Type - Clamping Type

WEB Selection Tool | WEB CAD Download | 0 Zero Backlash | SUS Stainless steel

**MWS-C** Made of aluminum alloy



**MWSS-C** Made of all stainless steel



## Dimensions

Unit : mm

Part Number	A	L	W	F	G	M	Screw Tightening Torque (N·m)	Standard Bore Diameter D1-D2									
								4 - 4	4 - 5	4.5 - 5	5 - 5						
<b>MWS-12C</b>	12	5.2	14	2.6	4	M2	0.5	4 - 4	4 - 5	4.5 - 5	5 - 5						
<b>MWS-16C</b>	16	6.8	18	3.4	5	M2.5	1	4.5 - 5	5 - 5	5 - 6	6 - 6						
<b>MWS-20C</b>	20	7.65	20	3.8	6.5	M2.5	1	5 - 6	5 - 8	6 - 6	6 - 8	8 - 8					
<b>MWS-25C</b>	25	9.6	25	4.8	9	M3	1.5	5 - 6	6 - 6	6 - 8	6 - 10	8 - 8	8 - 10	10 - 10			
<b>MWS-32C</b>	32	12.6	32	6.3	11	M4	2.5	8 - 8	8 - 10	10 - 10	10 - 12	12 - 12	12 - 14				
<b>MWSS-12C</b>	12	5.2	14	2.6	4	M2	0.5	4 - 4	4 - 5	4.5 - 5	5 - 5						
<b>MWSS-16C</b>	16	6.8	18	3.4	5	M2.5	1	4.5 - 5	5 - 5	5 - 6	6 - 6						
<b>MWSS-20C</b>	20	7.65	20	3.8	6.5	M2.5	1	5 - 6	5 - 8	6 - 6	6 - 7	6 - 8	8 - 8				
<b>MWSS-25C</b>	25	9.6	25	4.8	9	M3	1.5	5 - 6	6 - 6	6 - 8	6 - 10	8 - 8	8 - 10	10 - 10			
<b>MWSS-32C</b>	32	12.6	32	6.3	11	M4	2.5	8 - 8	8 - 10	10 - 10	10 - 12	12 - 12	12 - 14				

- All products are provided with hex socket head cap screw.
- Recommended tolerance for shaft diameters is h6 and h7.

### ⚠ Precautions for Use

- In case of mounting on D-cut shaft, be careful about the position of the D-cut surface of the shaft. → P.xxxx
- There are sizes where the hex socket head bolt exceeds the outer diameter of the coupling and the rotating diameter is larger than the outer diameter. Please be careful of the interference of coupling. → P.xxxx

## Performance

Part Number	Max. Bore Diameter (mm)	Rated Torque *1 (N·m)	Max. Rotational Frequency (min <sup>-1</sup> )	Moment *2 of Inertia (kg·m <sup>2</sup> )	Static Torsional Stiffness (N·m/rad)	Max. Angular Misalignment (°)	Max. Axial Misalignment (mm)	Mass *2 (g)
<b>MWS-12C</b>	5	0.4	52000	6.4×10 <sup>-8</sup>	80	1	±0.1	3
<b>MWS-16C</b>	6	0.5	39000	2.9×10 <sup>-7</sup>	180	1	±0.2	8
<b>MWS-20C</b>	8	1	31000	7.5×10 <sup>-7</sup>	200	1	±0.2	13
<b>MWS-25C</b>	10	2	25000	2.3×10 <sup>-6</sup>	780	1	±0.2	25
<b>MWS-32C</b>	14	4	19000	8.1×10 <sup>-6</sup>	1100	1	±0.2	53
<b>MWSS-12C</b>	5	0.3	52000	1.8×10 <sup>-7</sup>	140	1	±0.1	8.5
<b>MWSS-16C</b>	6	0.5	39000	7.8×10 <sup>-7</sup>	240	1	±0.1	21
<b>MWSS-20C</b>	8	1	31000	2.1×10 <sup>-6</sup>	330	1	±0.1	36
<b>MWSS-25C</b>	10	2	25000	6.3×10 <sup>-6</sup>	720	1	±0.2	69
<b>MWSS-32C</b>	14	3.5	19000	2.2×10 <sup>-5</sup>	1300	1	±0.2	150

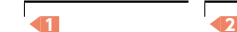
\*1 : Correction of rated torque due to load fluctuation is not required.

※ The shaft's slip torque may be smaller than the coupling's rated torque depending on the shaft bore. → P.xxxx

\*2 : These are values with max. bore diameter.

- Part number specification

**MWS-16C - 5-6**



Additional Keyway at Shaft Hole → P.xxxx | Cleanroom Wash & Packaging → P.xxxx | SUS Change to Stainless Steel Screw → P.xxxx  
 Bore additional modification only/ Add'l charge Please feel free to contact us | Please feel free to contact us