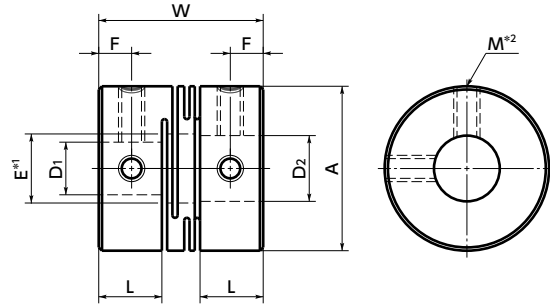


MWS/MWSS Flexible Couplings - Slit Type - Set Screw Type

WEB Selection Tool | WEB CAD Download | 0 Zero Backlash | SUS Stainless steel

MWS Made of aluminum alloy
MWSS Made of all stainless steel



*1 : $E=D_2(D_2 < 6)$
 $E=D_2+0.5(D_2 \geq 6)$
 *2 : In a case where the bore diameter is $\phi 4$ or less, the set screw is used in only one place.

Dimensions

Unit : mm

| Part Number ¹ | A | L | W | F | M | Screw Tightening Torque (N·m) | Standard Bore Diameter (Dimensional Allowance H8) D1-D2 ² | | | | | | | | | | | |
|--------------------------|----|------|----|-----|------|-------------------------------|--|--------|---------|---------|---------|---------|---------|---------|---------|--|--|--|
| | | | | | | | 2 - 2 | 3 - 3 | 4.5 - 5 | 5 - 5 | 6 - 6 | 8 - 8 | 10 - 10 | 12 - 12 | 12 - 14 | | | |
| MWS-8 | 8 | 3.4 | 10 | 1.7 | M2 | 0.3 | 2 - 2 | 3 - 3 | | | | | | | | | | |
| MWS-12 | 12 | 5.2 | 14 | 2.5 | M2.5 | 0.5 | 4 - 4 | 4 - 5 | 4.5 - 5 | 5 - 5 | | | | | | | | |
| MWS-16 | 16 | 6.8 | 18 | 3 | M3 | 0.7 | 4.5 - 5 | 5 - 5 | 5 - 6 | 6 - 6 | | | | | | | | |
| MWS-20 | 20 | 7.65 | 20 | 3 | M3 | 0.7 | 5 - 6 | 5 - 8 | 6 - 6 | 6 - 8 | 8 - 8 | | | | | | | |
| MWS-25 | 25 | 9.6 | 25 | 4 | M4 | 1.7 | 5 - 6 | 6 - 6 | 6 - 8 | 8 - 8 | 8 - 10 | 10 - 10 | | | | | | |
| MWS-32 | 32 | 12.6 | 32 | 6 | M4 | 1.7 | 8 - 8 | 8 - 10 | 10 - 10 | 10 - 12 | 12 - 12 | 12 - 14 | | | | | | |
| MWSS-8 | 8 | 3.4 | 10 | 1.7 | M2 | 0.3 | 2 - 2 | 3 - 3 | | | | | | | | | | |
| MWSS-12 | 12 | 5.2 | 14 | 2.5 | M2.5 | 0.5 | 4 - 4 | 4 - 5 | 4.5 - 5 | 5 - 5 | | | | | | | | |
| MWSS-16 | 16 | 6.8 | 18 | 3 | M3 | 0.7 | 5 - 5 | 5 - 6 | 6 - 6 | | | | | | | | | |
| MWSS-20 | 20 | 7.65 | 20 | 3 | M3 | 0.7 | 5 - 6 | 5 - 8 | 6 - 6 | 6 - 8 | 8 - 8 | | | | | | | |
| MWSS-25 | 25 | 9.6 | 25 | 4 | M4 | 1.7 | 5 - 6 | 6 - 6 | 6 - 8 | 8 - 8 | 8 - 10 | 10 - 10 | | | | | | |
| MWSS-32 | 32 | 12.6 | 32 | 6 | M4 | 1.7 | 8 - 8 | 8 - 10 | 10 - 10 | 10 - 12 | 12 - 12 | 12 - 14 | | | | | | |

- All products are provided with hex socket set screws.
- Recommended tolerance for shaft diameters is h6 and h7.

Performance

| Part Number | Max. Bore Diameter (mm) | Rated Torque *1 (N·m) | Max. Rotational Frequency (min ⁻¹) | Moment *2 of Inertia (kg·m ²) | Static Torsional Stiffness (N·m/rad) | Max. Angular Misalignment (°) | Max. Axial Misalignment (mm) | Mass *2 (g) |
|----------------|-------------------------|-----------------------|--|---|--------------------------------------|-------------------------------|------------------------------|-------------|
| MWS-8 | 4 | 0.1 | 78000 | 1.0×10^{-8} | 24 | 1 | ±0.1 | 1 |
| MWS-12 | 6 | 0.4 | 52000 | 7.0×10^{-8} | 80 | 1 | ±0.1 | 3.1 |
| MWS-16 | 8 | 0.5 | 39000 | 2.8×10^{-7} | 180 | 1 | ±0.2 | 7.4 |
| MWS-20 | 10 | 1 | 31000 | 7.5×10^{-7} | 200 | 1 | ±0.2 | 12 |
| MWS-25 | 12 | 2 | 25000 | 2.3×10^{-6} | 780 | 1 | ±0.2 | 24 |
| MWS-32 | 16 | 4 | 19000 | 8.0×10^{-6} | 1100 | 1 | ±0.2 | 50 |
| MWSS-8 | 4 | 0.2 | 78000 | 2.4×10^{-8} | 49 | 1 | ±0.1 | 2.7 |
| MWSS-12 | 6 | 0.3 | 52000 | 1.8×10^{-7} | 140 | 1 | ±0.1 | 7.8 |
| MWSS-16 | 8 | 0.5 | 39000 | 7.2×10^{-7} | 240 | 1 | ±0.1 | 18 |
| MWSS-20 | 10 | 1 | 31000 | 2.0×10^{-6} | 330 | 1 | ±0.1 | 32 |
| MWSS-25 | 12 | 2 | 25000 | 6.1×10^{-6} | 720 | 1 | ±0.2 | 63 |
| MWSS-32 | 16 | 3.5 | 19000 | 2.1×10^{-5} | 1300 | 1 | ±0.2 | 130 |

- *1 : Correction of rated torque due to load fluctuation is not required.
- *2 : These are values with max. bore diameter.

• Part number specification

MWSS-32-10-12

¹ ²

Additional Keyway at Shaft Hole → P. xxxx | Cleanroom Wash & Packaging → P. xxxx | SUS Change to Stainless Steel Screw → P. xxxx
 Bore additional modification only/ Add'l charge Please feel free to contact us | Please feel free to contact us