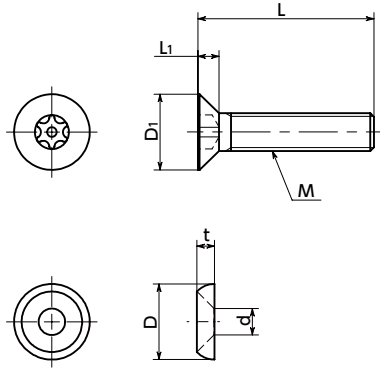


SRFXS-SET Flat Head Bolts with Hexalobular Socket (with Pin) Rosette Washer Set

WEB Selection Tool | WEB CAD Download | SUS Stainless steel | Tamper Resistance



● Material/Finish

RoHS2 Compliant

	SRFXS-SET
Flat Head Bolt with Hexalobular Socket (with Pin)	Equivalent to SUS304
Rosette Washer	SUS303

- Set of Flat Head Bolt with Hexalobular Socket*1 **SRFXS** (→ P.xxxx) and Rosette Washer **SWAS-RW** (→ P.xxxx).
- **SRFXS** can be used without countersinking.
- **SRFXS** cannot be mounted or removed by normal tools. Since the combined use of **SWAS-RW** will disable pinching and rotating **SRFXS** directly, the anti-theft performance is improved.
- Install and remove with **SRX** Dedicated Wrench or **SRXB** Dedicated Bit and **SRD** Dedicated Magnetic Screwdriver together.

*1 : The hexalobular shape is prescribed by JIS B 1015: 2008(ISO 10664: 2005)"Hexalobular internal driving feature for bolts and screws".

● Application

Machinery / Tools / Equipment / Devices disassembly prevention / Tampering prevention / Theft prevention for outdoor facilities / Security measures / Safety measures / Decoration / Prevention from getting caught

Part Number	M (Coarse)		L	D1	L1	D	d	t	Applicable Wrench Type	Applicable Bit Type		Hexalobular Socket No.	Mass (g)
	Nominal of Thread	Pitch								Bit	Driver		
SRFXS-M3-SET	M3	0.5	6 8 10 12	6	1.75	10	3.5	2	SRX-10	SRXB-10	SRD-6.35	10	1.3 - 1.5
SRFXS-M4-SET	M4	0.7	8 10 12 16 20	8	2.3	12	4.5	2.5	SRX-20	SRXB-20	SRD-6.35	20	2.2 - 3.1
SRFXS-M5-SET	M5	0.8	10 12 16 20 25	10	2.8	14	5.5	3	SRX-25	SRXB-25	SRD-6.35	25	4 - 5.9
SRFXS-M6-SET	M6	1	10 12 16 20 25 30	12	3.4	16	6.5	3.5	SRX-30	SRXB-30	SRD-6.35	30	6.4 - 10

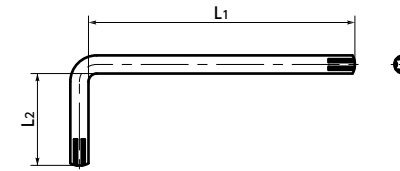
Part Number	Qty per Pack
SRFXS-M3-SET	10
SRFXS-M4-SET	10
SRFXS-M5-SET	10
SRFXS-M6-SET	10

● Also sold separately from 1 piece up. → P.xxxx

● **SRX** Dedicated Wrench

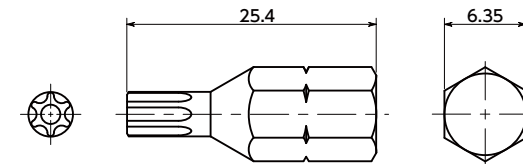
Unit : mm

Part Number	L1	L2	Mass (g)	Qty per pack
SRX-10	60	20	3.7	1
SRX-20	67	23	8.2	1
SRX-25	70	25	11	1
SRX-30	81	28	20	1



● **SRXB** Bit Part No.

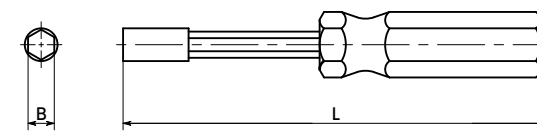
Part Number	Mass (g)	Qty per pack
SRXB-10	4.36	1
SRXB-20	4.57	1
SRXB-25	4.79	1
SRXB-30	5.50	1



● **SRD** Dedicated magnet screwdriver

Unit : mm

Part Number	L	B	Mass (g)	Qty per pack
SRD-6.35	210	6.35	98	1



● Part number specification

SRFXS-M5-16-SET

Order in number of packs.
Also sold separately from 1 piece up. → P.xxxx

1 Individual Sales → P.xxxx | 2 Cleanroom Wash & Packaging → P.xxxx | 3 Screw Length Adjustment → P.xxxx | 4 Vibration Resistant → P.xxxx | 5 Modification process for captive use → P.xxxx
Available / Add'l charge | Available / Add'l charge | Available / Add'l charge | Available / Add'l charge | Not Available