

LEF / LEFE / LEFS

Plastic Clamp Levers, Female Screw

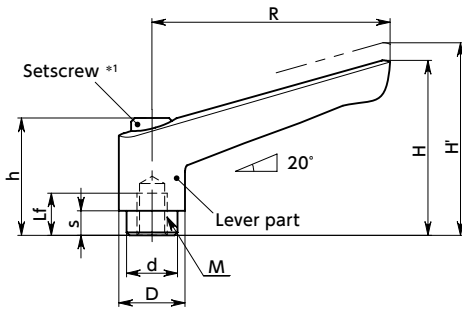
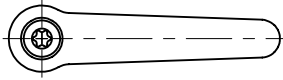
Recommendation
Specification Change



WEB Selection Tool

WEB CAD Download

SUS Stainless steel



*1: Setscrew head shapes have been changed from hex sockets to hexalobular sockets.

- There are three color variations for the lever part. They can be selected by the end symbol of the part number.

End Symbol	Lever Part Color
BK	Matte black
SG	Matte Silver
OR	Matte orange



- A serration ring made of zinc die cast is inserted into the lever body made of plastic. They also realize sufficient strength for fitting with metal thread serration.
- A rich variety of thread sizes from M3 to M12 are available.
- There are three types of thread part materials:
 - LEF** — Made of steel / ferrosferic oxide film (black)
 - LEFE** — Made of steel / electroless nickel plating
 - LEFS** — Made of stainless steel
- LEFE** has electroless nickel plating applied to its thread part made of steel to enhance its corrosion resistance.

Material/Finish

RoHS2 Compliant

	LEF	LEFE	LEFS
Lever Part	Nylon 6 (Various Color)	Nylon 6 (Various Color)	Nylon 6 (Various Color)
Thread Part	SUM22L Ferrosferic Oxide Film (Black)	SUM22L Electroless Nickel Plating	SUS303
Setscrew	Steel Ferrosferic Oxide Film (Black)	Steel Electroless Nickel Plating	SUS304
Serration Ring (Insert)	Zinc Die Cast	Zinc Die Cast	Zinc Die Cast
Spring	Stainless Steel Wire or SWPB	Stainless Steel Wire	Stainless Steel Wire

Unit : mm

LEF Steel / ferrosferic oxide film		LEFE Steel / electroless nickel plating		LEFS Stainless steel		Common dimensions												
Part Number	Lf min.	Part Number	Lf min.	Part Number	Lf min.	M (Coarse)		R	H	H'	h	s	D	d	Number of Teeth	Max. load ^{*1} (N)	Max. clamping ^{*1} force (kN)	Mass (g)
						Nominal of Thread	Pitch											
LEF-3	7			LEFS-3	7	M3	0.5	45	35.5	39	24.5	4.2	13	10	18	9	0.95	14
LEF-4	9	LEFE-4	9	LEFS-4	8	M4	0.7	45	35.5	39	24.5	4.2	13	10	18	21	1.7	14
LEF-5	9	LEFE-5	9	LEFS-5	8	M5	0.8	45	35.5	39	24.5	4.2	13	10	18	42	2.7	13
LEF-6	9	LEFE-6	9	LEFS-6	8	M6	1	45	35.5	39	24.5	4.2	13	10	18	70	3.8	12
LEF-6B	11			LEFS-6B	11	M6	1	63	46.3	50.3	31	6.5	17.5	13.5	24	50	3.8	32
LEF-8	11	LEFE-8	11	LEFS-8	11	M8	1.25	63	46.3	50.3	31	6.5	17.5	13.5	24	120	7	30
LEF-8B	14			LEFS-8B	14	M8	1.25	78	55.4	59.4	36	8	21	16	26	100	7	52
LEF-10	14	LEFE-10	14	LEFS-10	14	M10	1.5	78	55.4	59.4	36	8	21	16	26	200	11	48
LEF-12	17	LEFE-12	17	LEFS-12	17	M12	1.75	92	66	70	43	11	25	19	28	290	16	78

*1: About the definition of max. load / max. clamping force → P.xxxx

- Part number specification

LEFE-12-OR



Cleanroom Wash & Packaging → P.xxxx	Screw Combination → P.xxxx	Screw Length Adjustment → P.xxxx	Vibration Resistant → P.xxxx	Laser Marking → P.xxxx
Please feel free to contact us	Available / Add'l charge	Not Available	Not Available	Available / Add'l charge