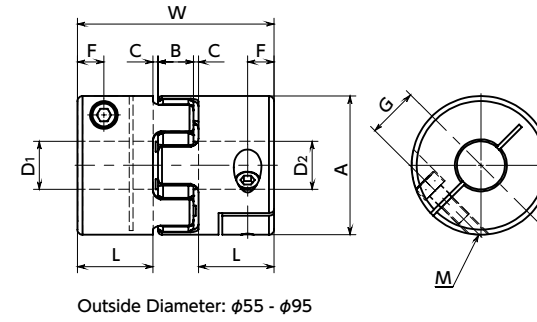
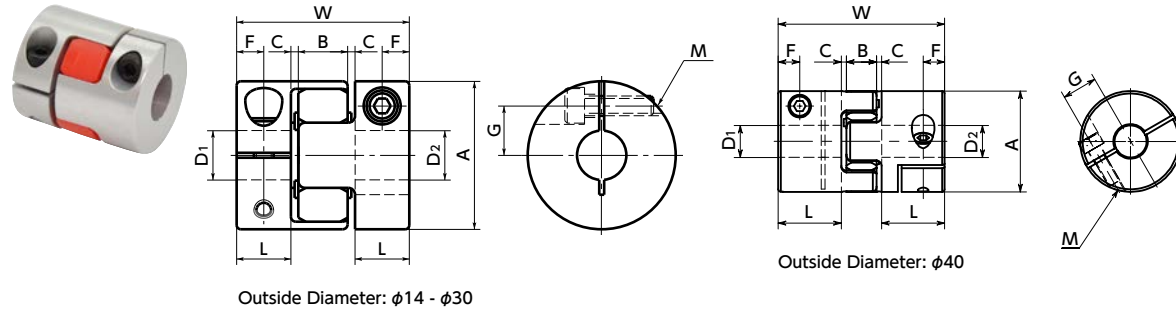


# MJC-CS Flexible Coupling - Jaw - Type - Clamping Type Additional Size

WEB Selection Tool | WEB CAD Download | High torque | Vibration absorption | Electrical Insulation



• Sleeve Details

Tight Fit Easy Fit

• Ambient Temperature / Temperature Correction Factor

Ambient Temperature	Temperature Correction Factor
-20°C to 30°C	1.00
30°C to 40°C	0.80
40°C to 60°C	0.70

## Dimensions

Unit : mm

Part Number	Bore Diameter	A	L	W	B	C*1	Sleeve E	F	G	M	Screw Tightening Torque (N·m)
MJC-14CS	3 - 5	14	7	22	6	1	4	3.5	4	M2	0.5
	6 - 7										
MJC-20CS	4 - 8	20	10	30	8	1	6	5	6.5	M2.5	1
	9.525 - 11										
MJC-25CS	4 - 10	25	12	34	8	1	8	6	9	M3	1.5
	11 - 12.7										
MJC-30CS	6 - 12	30	11	35	10	1.5	10	5.5	10	M4	3.5
	12.7 - 16										
MJC-40CS	7.9375 - 20	40	25	66	12	2	17	8.5	14	M5	8
	22 - 25										
MJC-55CS	9.525 - 28	55	30	78	14	2	26	10.5	20	M6	13
	30 - 32										
MJC-65CS	12.7 - 32	65	35	90	15	2.5	29.5	13	24	M8	28
	34.925 - 38.1										
MJC-80CS	19.05 - 42	80	45	114	18	3	35.5	15	30	M8	28
	45										
MJC-95CS	25 - 48	95	50	126	20	3	44	18	34	M10	55
	50 - 55										

\*1: Use with C Dimension

Part Number	Standard metric bore diameter																																				
	D1	D2	3	4	4.5	5	6	6.35	7	8	9.525	10	11	12	14	15	16	18	19	20	22	24	25	28	30	32	35	38	40	42	45	48	50	55			
MJC-14CS	●	●	●	●	●	●	●	●	●	●	●	●	●	●	●	●	●	●	●	●	●	●	●	●	●	●	●	●	●	●	●	●	●	●			
MJC-20CS	●	●	●	●	●	●	●	●	●	●	●	●	●	●	●	●	●	●	●	●	●	●	●	●	●	●	●	●	●	●	●	●	●	●	●		
MJC-25CS	●	●	●	●	●	●	●	●	●	●	●	●	●	●	●	●	●	●	●	●	●	●	●	●	●	●	●	●	●	●	●	●	●	●	●	●	
MJC-30CS	●	●	●	●	●	●	●	●	●	●	●	●	●	●	●	●	●	●	●	●	●	●	●	●	●	●	●	●	●	●	●	●	●	●	●	●	
MJC-40CS	●	●	●	●	●	●	●	●	●	●	●	●	●	●	●	●	●	●	●	●	●	●	●	●	●	●	●	●	●	●	●	●	●	●	●	●	●
MJC-55CS	●	●	●	●	●	●	●	●	●	●	●	●	●	●	●	●	●	●	●	●	●	●	●	●	●	●	●	●	●	●	●	●	●	●	●	●	●
MJC-65CS	●	●	●	●	●	●	●	●	●	●	●	●	●	●	●	●	●	●	●	●	●	●	●	●	●	●	●	●	●	●	●	●	●	●	●	●	●
MJC-80CS	●	●	●	●	●	●	●	●	●	●	●	●	●	●	●	●	●	●	●	●	●	●	●	●	●	●	●	●	●	●	●	●	●	●	●	●	●
MJC-95CS	●	●	●	●	●	●	●	●	●	●	●	●	●	●	●	●	●	●	●	●	●	●	●	●	●	●	●	●	●	●	●	●	●	●	●	●	●

Part Number	Standard inch bore diameter																								
	D1	D2	1/8	3/16	1/4	5/16	3/8	7/16	1/2	9/16	5/8	11/16	3/4	13/16	7/8	15/16	1	1-1/8	1-1/4	1-3/8	1-1/2	1-5/8	1-3/4		
MJC-14CS	●	●	●	●	●	●	●	●	●	●	●	●	●	●	●	●	●	●	●	●	●	●	●	●	●
MJC-20CS	●	●	●	●	●	●	●	●	●	●	●	●	●	●	●	●	●	●	●	●	●	●	●	●	●
MJC-25CS	●	●	●	●	●	●	●	●	●	●	●	●	●	●	●	●	●	●	●	●	●	●	●	●	●
MJC-30CS	●	●	●	●	●	●	●	●	●	●	●	●	●	●	●	●	●	●	●	●	●	●	●	●	●
MJC-40CS	●	●	●	●	●	●	●	●	●	●	●	●	●	●	●	●	●	●	●	●	●	●	●	●	●
MJC-55CS	●	●	●	●	●	●	●	●	●	●	●	●	●	●	●	●	●	●	●	●	●	●	●	●	●
MJC-65CS	●	●	●	●	●	●	●	●	●	●	●	●	●	●	●	●	●	●	●	●	●	●	●	●	●
MJC-80CS	●	●	●	●	●	●	●	●	●	●	●	●	●	●	●	●	●	●	●	●	●	●	●	●	●
MJC-95CS	●	●	●	●	●	●	●	●	●	●	●	●	●	●	●	●	●	●	●	●	●	●	●	●	●

- All products are provided with hex socket head cap screw.
- Recommended dimensional allowances of applicable shaft diameter are h6 and h7.
- A set of hubs with clamping type for one side and set screw type or other type for the other side is available upon request.
- In case of mounting on D-cut shaft, be careful about the position of the D-cut surface of the shaft. → P.xxxx

Additional Keyway at Shaft Hole → P.xxxx | Cleanroom Wash & Packaging → P.xxxx | Change to Stainless Steel Screw → P.xxxx

Available / Add'l charge | Available / Add'l charge | Available / Add'l charge

## Performance

Part Number	Sleeve		Max. Bore Diameter (mm)	Rated*1 torque (N·m)	Max.*1 torque (N·m)	Zero Backlash*3 Allowable Transmission Torque (N·m)	Max. Rotational Frequency (min <sup>-1</sup> )	Moment*2 of Inertia (kg·m <sup>2</sup> )	Static Torsional Stiffness (N·m/rad)	Max. Lateral Misalignment (mm)	Max. Angular Misalignment (°)	Max. Axial Misalignment (mm)	Mass*2 (g)	Sleeve Hardness (JIS)
	Tight Fit	Easy Fit												
MJC-14CS	BL	EBL	7	0.7	1.4	0.1	45000	1.9 x 10 <sup>-7</sup>	8	0.15	1	+0.6 0	6.2	A80
MJC-20CS	BL	EBL	11	1.8	3.6	0.2	31000	1.0 x 10 <sup>-6</sup>	16	0.2	1	+0.8 0	16	
MJC-25CS	BL	EBL	12.7	3	6	0.4	25000	3.2 x 10 <sup>-6</sup>	32	0.2	1	+0.9 0	34	
MJC-30CS	BL	EBL	16	4	8	0.5	21000	6.0 x 10 <sup>-6</sup>	46	0.2	1	+1.0 0	42	
MJC-40CS	BL	EBL	25	4.9	9.8	1.2	15000	3.6 x 10 <sup>-5</sup>	380	0.15	1	+1.2 0	130	
MJC-55CS	BL	EBL	32	17	34		11000	1.6 x 10 <sup>-4</sup>	1400	0.2	1	+1.4 0	310	
MJC-65CS	BL	EBL	38.1	46	92		9000	3.5 x 10 <sup>-4</sup>	2800	0.2	1	+1.5 0	500	
MJC-80CS	BL	EBL	45	95	190		7000	1.0 x 10 <sup>-3</sup>	3200	0.2	1	+1.8 0	1000	
MJC-95CS	BL	EBL	55	130	260		6000	2.3 x 10 <sup>-3</sup>	3600	0.2	1	+2.0 0	1600	
MJC-14CS	WH	EW	7	1.2	2.4	0.1	45000	1.9 x 10 <sup>-7</sup>	14	0.1	1	+0.6 0	6.2	A92
MJC-20CS	WH	EW	11	3	6	0.2	31000	1.0 x 10 <sup>-6</sup>	29	0.15	1	+0.8 0	16	
MJC-25CS	WH	EW	12.7	5	10	0.4	25000	3.2 x 10 <sup>-6</sup>	60	0.15	1	+0.9 0	34	
MJC-30CS	WH	EW	16	7.5	15	0.5	21000	6.0 x 10 <sup>-6</sup>	73	0.15	1	+1.0 0	42	
MJC-40CS	WH	EW	25	10	20	1.2	15000	3.6 x 10 <sup>-5</sup>	570	0.1	1	+1.2 0	130	
MJC-55CS	WH	EW	32	35	70		11000	1.6 x 10 <sup>-4</sup>	1600	0.15	1	+1.4 0	310	
MJC-65CS	WH	EW	38.1	95	190		9000	3.5 x 10 <sup>-4</sup>	3000	0.15	1	+1.5 0	500	
MJC-80CS	WH	EW	45	190	380		7000	1.0 x 10 <sup>-3</sup>	5300	0.15	1	+1.8 0	1000	
MJC-95CS	WH	EW	55	265	530		6000	2.3 x 10 <sup>-3</sup>	6200	0.15	1	+2.0 0	1600	
MJC-14CS	RD	ERD	7	2	4	0.1	45000	1.9 x 10 <sup>-7</sup>	22	0.1	1	+0.6 0	6.2	A98
MJC-20CS	RD	ERD	11	5	10	0.2	31000	1.0 x 10 <sup>-6</sup>	55	0.1	1	+0.8 0	16	
MJC-25CS	RD	ERD	12.7	7.2	14.4	0.4	25000	3.2 x 10 <sup>-6</sup>	120	0.1	1	+0.9 0	34	
MJC-30CS	RD	ERD	16	12.7	25	0.5	21000	6.0 x 10 <sup>-6</sup>	130	0.1	1	+1.0 0	42	
MJC-40CS	RD	ERD	25	17	34	1.2	15000	3.6 x 10 <sup>-5</sup>	1200	0.1	1	+1.2 0	130	
MJC-55CS	RD	ERD	32	60	120		11000	1.6 x 10 <sup>-4</sup>	2600	0.1	1	+1.4 0	310	
MJC-65CS	RD	ERD	38.1	160	320		9000	3.5 x 10 <sup>-4</sup>	4900	0.1	1	+1.5 0	500	
MJC-80CS	RD	ERD	45	325	650		7000	1.0 x 10 <sup>-3</sup>	6500	0.1	1	+1.8 0	1000	
MJC-95CS	RD	ERD	55	450	900		6000	2.3 x 10 <sup>-3</sup>	8900	0.1	1	+2.0 0	1600	
MJC-14CS	GR	EGR	7	2.4	4.8	0.1	45000	1.9 x 10 <sup>-7</sup>	66	0.08	1	+0.6 0	6.2	D64
MJC-20CS	GR	EGR	11	6	12	0.2	31000	1.0 x 10 <sup>-6</sup>	87	0.08	1	+0.8 0	16	
MJC-25CS	GR	EGR	12.7	9.6	19.2	0.4	25000	3.2 x 10 <sup>-6</sup>	160	0.08	1	+0.9 0	34	
MJC-30CS	GR	EGR	16	16	32	0.5	21000	6.0 x 10 <sup>-6</sup>	200	0.08	1	+1.0 0	42	
MJC-40CS														