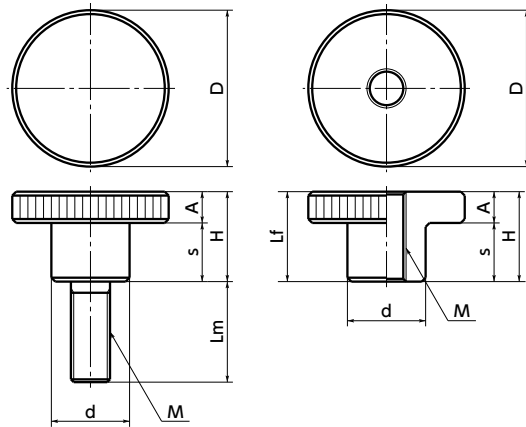


KNM  
KNMS

KNF  
KNFS



- A wide variety of screw sizes from M3 to M10.
- Materials and types can be selected by a product code.

Product Code	Material	Type
KNM	Made of Steel	Male Screw
KNF	Made of Steel	Female Screw
KNMS	Made of Stainless Steel	Male Screw
KNFS	Made of Stainless Steel	Female Screw

- **KNM** has a round-shaped thread tip to be distinguished from **KNMS**.

## Dimensions

KNM | KNMS | Male Screw

Unit : mm

Part Number Made of Steel	Part Number Made of Stainless Steel	D	M (Coarse)		H	s	A	d	Mass (g)
			Nominal of Thread	Pitch					
KNM-12-M3	KNMS-12-M3	12	M3	0.5	7.5	5	2.5	6	3 - 4
	KNMS-12-M4	12	M4	0.7	7.5	5	2.5	6	3 - 6
KNM-16-M4	KNMS-12-M5	12	M5	0.8	7.5	5	2.5	6	4 - 9
	KNMS-16-M4	16	M4	0.7	9.5	6	3.5	8	9 - 10
KNM-20-M5	KNMS-16-M5	16	M5	0.8	9.5	6	3.5	8	9 - 13
	KNMS-16-M6	16	M6	1	9.5	6	3.5	8	9 - 19
KNM-24-M6	KNMS-20-M5	20	M5	0.8	11.5	7.5	4	10	15 - 20
	KNMS-20-M6	20	M6	1	11.5	7.5	4	10	15 - 26
KNM-30-M8	KNMS-24-M6	24	M6	1	15	10	5	12	28 - 38
KNM-36-M10	KNMS-30-M8	30	M8	1.25	18	12	6	16	58 - 61
	KNMS-36-M10	36	M10	1.5	23	15	8	20	108 - 120

KNF | KNFS | Female Screw

Unit : mm

Part Number Made of Steel	Part Number Made of Stainless Steel	D	M (Coarse)		Lf	H	s	A	d	Mass (g)
			Nominal of Thread	Pitch						
KNF-12-M3	KNFS-12-M3	12	M3	0.5	7.5	7.5	5	2.5	6	3
KNF-16-M4	KNFS-16-M4	16	M4	0.7	9.5	9.5	6	3.5	8	7
KNF-20-M5	KNFS-20-M5	20	M5	0.8	11.5	11.5	7.5	4	10	13
KNF-24-M6	KNFS-24-M6	24	M6	1	15	15	10	5	12	23
KNF-30-M8	KNFS-30-M8	30	M8	1.25	18	18	12	6	16	45
KNF-36-M10	KNFS-36-M10	36	M10	1.5	23	23	15	8	20	86



- Material/Finish

RoHS

	KNM	KNF	KNMS / KNFS
Main Body	SWCH10R Buffing / Chrome Plating	SUM22L Buffing / Chrome Plating	SUS303*1

\*1 : For **KNMS-36-M10**, it is SUS304.

KNM | Made of Steel | KNMS | Made of Stainless Steel

Part Number Male Screw	Lm (mm)									
	6	10	16	20	25	30	35	40	50	70
KNM-12-M3	●	●	●							
KNM-16-M4	●	●	●							
KNM-20-M5		●	●	●						
KNM-24-M6		●	●	●	●	●				
KNM-30-M8			●	●	●	●				
KNM-36-M10				●	●	●		●		
KNMS-12-M3	●	●	●							
KNMS-12-M4	●	●	●	●				●		
KNMS-12-M5		●	●	●	●				●	
KNMS-16-M4	●	●	●	●				●		
KNMS-16-M5		●	●	●	●				●	
KNMS-16-M6		●	●	●	●	●				●
KNMS-20-M5		●	●	●	●				●	
KNMS-20-M6		●	●	●	●	●	●			●
KNMS-24-M6		●	●	●	●	●	●			●
KNMS-30-M8			●	●	●	●				
KNMS-36-M10				●	●	●		●		

- Part Number Specification

**KNM-24-M6 - 20**

1 2

For male screw type, select 2 screw length Lm from the sizes marked with ● in the table.