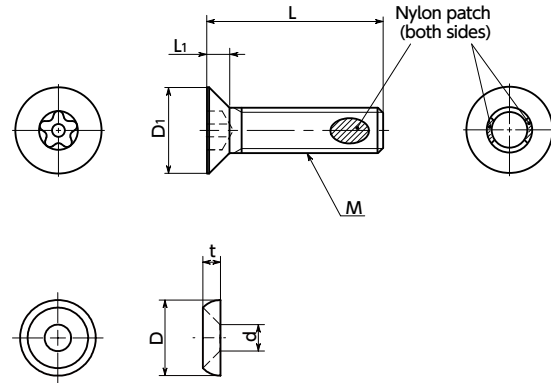


SRGFS-ALK-SET Five - Lobe Socket with Pin Flat Head Screws with Nylon Patch Rosette Washer Set

SUS Stainless steel Vibration resistant treatment Tamper Resistance



● Material/Finish



SRGFS-ALK-SET	
Screw Body	SUSXM7
Screw Body Strength Class	Equivalent to A2-50
Nylon Patch	Nylon 11
Rosette Washer	SUS303

- Set of five-lobe socket countersunk head screws with nylon patch **SRGFS-ALK** and rosette washers **SWAS-RW**.
- **SRGFS-ALK** can be used without countersinking.
- The friction of the nylon adhered to the thread suppresses the return rotation of the thread.
- Even if the tightening force is lost, the return rotation is suppressed, preventing the screws from falling off.
- The heat resistant temperature of the nylon patch is 120°C.
- This prevents mounting and removing with regular tools.
- Install and remove with **SRGB** Dedicated Bits and **SRD** Dedicated Magnetic Screwdriver together.

● Application

Equipment/devices disassembly/tampering prevention
 Theft prevention for outdoor facilities
 Security measures
 Safety measures
 Screw return and fallout prevented



Unit : mm

Part Number ¹	M (Coarse)		L ²	D1	L1	D	d	t	Bit Part No.	Screwdriver Part No.	Mass (g)	Qty per Pack					
	Nominal of Thread	Pitch															
SRGFS-M4-ALK-SET	M4	0.7	10	16	20	8	2.3	12	4.5	2.5	SRGB-4	SRD-6.35	1.03 - 1.78	10			
SRGFS-M5-ALK-SET	M5	0.8	10	16	25	10	2.8	14	5.5	3	SRGB-56	SRD-6.35	1.73 - 5.27	10			
SRGFS-M6-ALK-SET	M6	1	12	16	20	30	40	50	12	3.4	16	6.5	3.5	SRGB-56	SRD-6.35	3.04 - 9.63	10

● When purchasing less volume than one full bag, a separate handling fee is charged. For details, see the Sold Separately Service.

● Related Products

SRGB applicable bits are available.



Dedicated magnetic screwdrivers **SRD** are available.



● Part Number Specification

SRGFS-M5-16-ALK-SET



Individual Sales Available / Add'l charge	Cleanroom Wash & Packaging Available / Add'l charge	Screw Length Adjustment Not Available	Vibration Resistant Not Available	Modification process for captive use Not Available
---	---	---------------------------------------	-----------------------------------	--